

► Our technology. Your success.

Pumps • Valves • Service



KWP – Pump in Back Pull-out Design for Solids-laden Fluids



KWP DN 40 - 350

Applications:

- Chemical and process industry
- Food and beverage industry
- Paper and cellulose industry
- Flue gas desulphurisation and coal upgrading plants
- Industrial effluent treatment systems
- Seawater desalination

More information: www.ksb.com/products



KWP DN 400 - 600



KWP DN 600 - 900

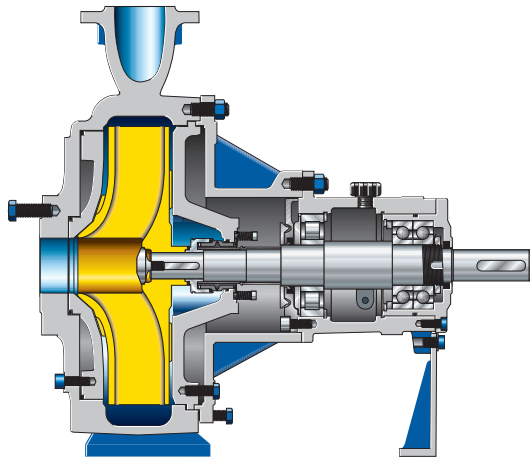
Your contact:



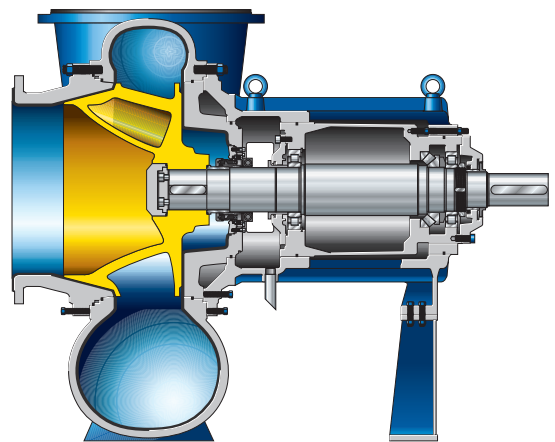
PT. Sukma Tirta Persada
Ruko Asia Tropis (Ruko Grand Boulevard)
Jl. Taman Cemara Blok AT 15 No. 48
Harapan Indah, Bekasi 17214
Tel : (+62-21) 8896 9294 , 8896 9295
Fax: (+62-21) 8865 332
info@sukmatirta.com

www.sukmatirta.com

KWP – Pump in Back Pull-out Design for Solids-laden Fluids



KWP DN 40 - 350



KWP DN 400 - 900

1 Reliable

- Reinforced bearing bracket for a long bearing life
- Mechanical seal installed in conical seal chamber for maximum seal life even with solids-laden fluids

2 Flexible

- Various impeller types to suit a wide variety of applications, also for handling solids-laden and gaseous fluids
- Extensive selection chart and choice of materials

3 Robust design

- Wear and corrosion resistant materials
- High-quality single-piece volute casing for high rigidity and space-saving installation
- Front vanes and diagonal gap reduce wear.

4 Cost-efficient and easy to service

- Adjustable bearing bracket for an optimised suction-side clearance enables high efficiencies (up to 92 %) and longer service life
- Back pull-out design
- Modular design system reduces spare parts stocks.
- Long oil change intervals: up to 8,000 h

Impeller types available



K impeller

O impeller

F impeller

R impeller

Materials

EN-GJL-250/A48 CL 35B	EN-GJS-400-18-LT
ERN	CeramikPolySiC®
NORIHARD® NH 15 3	NORILLOY® NL 25 2
NORIDUR® 1.4593	NORICROM® 1.4475
NORIDUR® 1.4593 DAS	NORICLOR® 1.4573

® Registered trademarks of KSB: Cast polymer concrete and high-alloyed cast steel – with extraordinary corrosion and wear resistance.

Shaft Seal

Gland packing
Single mechanical seal
Double mechanical seal
Cartridge seal

available in various designs

Technical data

Pump size	DN 40 to 900
Flow rate	Up to 17,000 m ³ /h
Discharge head	Up to 100 m ¹⁾
Fluid temperature	-40 to +140 °C ¹⁾
Pump discharge pressure	Up to 10 bar ¹⁾

¹⁾Higher values available on request



KSB Aktiengesellschaft
Johann-Klein-Straße 9
67227 Frankenthal (Germany)
www.ksb.com