

Pressure Booster System

Hya-Solo

Type Series Booklet



Legal information/Copyright

Type Series Booklet Hya-Solo

All rights reserved. The contents provided herein must neither be distributed, copied, reproduced, edited or processed for any other purpose, nor otherwise transmitted, published or made available to a third party without the manufacturer's express written consent.

Subject to technical modification without prior notice.

© KSB Aktiengesellschaft, Frankenthal 06.04.2016

Contents

Building Services: Water Supply	4
Pressure Booster Systems	4
Hya-Solo D / DSV	4
Main applications	4
Fluids handled	4
Operating data	4
Designation	4
Design details	4
Materials	5
Product benefits	5
Selection information	6
Technical data	7
Selection charts	11
Characteristic curves	13
Dimensions	31
Accessories	36

Building Services: Water Supply

Pressure Booster Systems

Hya-Solo D / DSV



Hya-Solo D



Hya-Solo DSV

Main applications

- Spray irrigation systems
- General irrigation systems
- Service water supply systems
- Domestic water supply
- Rainwater harvesting
- Water supply systems

Fluids handled

- Drinking water
- Service water
- Cooling water
- Fluids not chemically or mechanically aggressive to the materials

Operating data

Operating properties

Characteristic	Value	
Flow rate	Q [m ³ /h]	≤ 110
	Q [l/s]	≤ 30.6
Head	H [m]	≤ 160
Fluid temperature	T [°C]	≤ 70
Operating pressure	p [bar]	≤ 16

Designation

Example: Hya-Solo D 1 / 0405 / 2 B

Designation key

Code	Description
Hya-Solo	Type series
D	Three-phase current
1	Number of pumps
04	Pump size
05	Number of pump stages
2	Inlet pressure [bar] (for DSV, from - to)
B	Design status

Design details

Design

Hya-Solo D

- Fully automatic pressure booster package system
- Membrane-type accumulator (direct-flow) to DIN 4807-5 on the discharge side, approved for drinking water
- Pressure gauge for pressure indication

Hya-Solo DSV

- Fully automatic pressure booster package system
- Membrane-type accumulator (direct-flow) to DIN 4807-5 on the discharge side, approved for drinking water
- Pressure gauge for pressure indication

Installation type

- Stationary installation

Drive

Hya-Solo D

- Three-phase asynchronous squirrel-cage motor
- Efficiency class IE3
- 220-240 V / 380-420 V ; 380-420 V / 660-720 V
- IP55 enclosure
- Thermal class F
- DOL starting up to and including 4 kW
- Star-delta starting for 5.5 kW and above

Hya-Solo DSV

- KSB SuPremE IE4 motor (as per IEC/CD 60034-30 Ed. 2)
- Three-phase motor
- 380 V AC -10% up to 480 V AC +10%, 50/60 Hz
- IP55 enclosure

Automation

Hya-Solo D

- Control unit for pressure-controlled starting and stopping
- Control cabinet IP54
- LEDs indicate faults and lack of water (red)
- Motor protection switch
- Manual-0-automatic selector switch
- Timer for daily operation check run
- Terminal strip with markings for all connections
- Volt-free contacts for operation, fault, lack of water
- Remote ON/OFF
- Lockable master switch (repair switch)

Hya-Solo DSV

- Self-cooling motor-mounted frequency inverter (PumpDrive) for pressure-controlled starting and demand-based stopping
- Plain-text display (for voltage, current, power, speed, frequency)
- Control panel with operating keys (manual-0-automatic), navigation and function keys
- LEDs signalling operational availability (green), warning (yellow), alert (red)
- Two freely parameterisable relay outputs (operation/fault, alert, etc.)
- Analog input for external setpoint adjustment

- Analog output for transmitting the actual value, motor speed, etc.
- Control cabinet IP54
- Lockable master switch (repair switch)

Materials

Overview of available materials

Component	Material
Pump	
Pump casing	Stainless steel
Pump shroud	Stainless steel
Hydraulic system	Stainless steel
Sealing element	EPDM
Plain bearing	Aluminium oxide
Mechanical seal	To EN 12756
Primary ring	Silicon carbide
Mating ring	Hard carbon
Elastomer	EPDM
Piping	
Hya-Solo D/DSV	Chrome steel
PumpDrive housing	
Heat sink	Die-cast aluminium
Casing cover	PBT, glass fibre reinforced
Accumulator	Connection made of stainless steel, flow through valve to DIN 4807-5
Membrane	Approved for drinking water

Product benefits

- Corrosion-resistant by using high-quality stainless steel
- Very compact, space-saving design

Hya-Solo DSV

- Saves energy through efficient operating mode

Selection information

Selecting the pressure booster system

Selection example

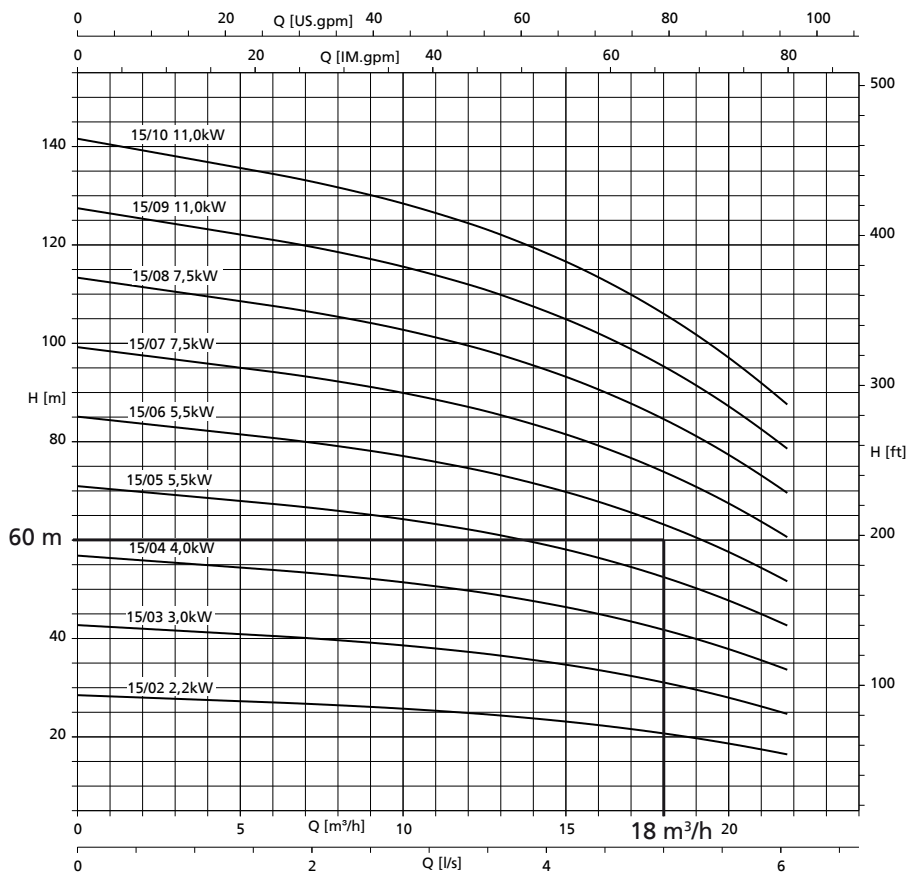
Requirements:

Specified duty point at:

- Flow rate: 18 m³/h
- Head: 60 m

Solution:

1. The values are transferred to the selection chart to select the most suitable pump.
- ⇒ At an inlet pressure $p_{in} = 0$ bar: Movitec 15/06 => Hya-Solo D / 1506/0



Determining the power input

- The power input is indicated per stage ($St = 1$) and/or per stage with a smaller impeller ($St = -1$).
The pump input power can be calculated accordingly.
Calculation: value indicated in the diagram ($St = 1$) × number of stages + value indicated in the diagram ($St = -1$) × number of stages with a smaller impeller
Example 1, Movitec 90/4: $P = (St = 1) \times 4$
Example 2, Movitec 90/4-1: $P = (St = 1) \times 3 + (St = -1)$
Example 3, Movitec 90/4-2: $P = (St = 1) \times 2 + (St = -1) \times 2$

Technical data
Hya-Solo D

Selection table

Hya-Solo D	P _N [kW]	I _N 3~400 V [A]	[kg]	Connection Suction side - Discharge side
1/0202 B	0,37	0,94	64	G 1 - R 1
1/0203 B	0,37	0,94	64	G 1 - R 1
1/0204 B	0,37	0,94	65	G 1 - R 1
1/0205 B	0,37	0,94	65	G 1 - R 1
1/0206 B	0,55	1,33	68	G 1 - R 1
1/0207 B	0,55	1,33	68	G 1 - R 1
1/0208 B	0,55	1,33	68	G 1 - R 1
1/0209 B	0,75	1,68	71	G 1 - R 1
1/0210 B	0,75	1,68	71	G 1 - R 1
1/0211 B	1,10	2,40	74	G 1 - R 1
1/0212 B	1,10	2,40	74	G 1 - R 1
1/0214 B	1,10	2,40	75	G 1 - R 1
1/0216 B	1,50	2,92	80	G 1 - R 1
1/0218 B	1,50	2,92	80	G 1 - R 1
1/0402 B	0,37	0,94	64	G 1 - R 1
1/0403 B	0,55	1,33	66	G 1 - R 1
1/0404 B	0,55	1,33	67	G 1 - R 1
1/0405 B	0,75	1,68	69	G 1 - R 1
1/0406 B	1,10	2,40	72	G 1 - R 1
1/0407 B	1,10	2,40	72	G 1 - R 1
1/0408 B	1,50	2,92	76	G 1 - R 1
1/0409 B	1,50	2,92	77	G 1 - R 1
1/0410 B	1,50	2,92	77	G 1 - R 1
1/0411 B	2,20	4,15	80	G 1 - R 1
1/0412 B	2,20	4,15	81	G 1 - R 1
1/0414 B	2,20	4,15	82	G 1 - R 1
1/0416 B	3,00	5,59	96	G 1 - R 1
1/0602 B	0,37	0,94	65	G 1 1/4 - R 1 1/4
1/0603 B	0,75	1,68	69	G 1 1/4 - R 1 1/4
1/0604 B	1,10	2,40	72	G 1 1/4 - R 1 1/4
1/0605 B	1,10	2,40	73	G 1 1/4 - R 1 1/4
1/0606 B	1,50	2,92	77	G 1 1/4 - R 1 1/4
1/0607 B	1,50	2,92	77	G 1 1/4 - R 1 1/4
1/0608 B	2,20	4,15	81	G 1 1/4 - R 1 1/4
1/0609 B	2,20	4,15	81	G 1 1/4 - R 1 1/4
1/0610 B	2,20	4,15	82	G 1 1/4 - R 1 1/4
1/0611 B	3,00	5,59	92	G 1 1/4 - R 1 1/4
1/0612 B	3,00	5,59	92	G 1 1/4 - R 1 1/4
1/0614 B	3,00	5,59	93	G 1 1/4 - R 1 1/4
1/0616 B	4,00	7,45	103	G 1 1/4 - R 1 1/4
1/1002 B	0,75	1,68	82	G 1 1/2 - R 1 1/2
1/1003 B	1,10	2,40	85	G 1 1/2 - R 1 1/2
1/1004 B	1,50	2,92	90	G 1 1/2 - R 1 1/2
1/1005 B	2,20	4,15	94	G 1 1/2 - R 1 1/2
1/1006 B	2,20	4,15	94	G 1 1/2 - R 1 1/2
1/1007 B	3,00	5,59	103	G 1 1/2 - R 1 1/2
1/1008 B	3,00	5,59	104	G 1 1/2 - R 1 1/2
1/1009 B	4,00	7,45	111	G 1 1/2 - R 1 1/2
1/1010 B	4,00	7,45	112	G 1 1/2 - R 1 1/2
1/1011 B	4,00	7,45	113	G 1 1/2 - R 1 1/2
1/1013 B	5,50	10,00	156	G 1 1/2 - R 1 1/2
1/1502 B	2,20	4,15	91	G 2 - R 2

Hya-Solo D	P _N	I _N		[kg]	Connection Suction side - Discharge side
		3~400 V			
	[kW]	[A]			
1/1503 B	3,00	5,59	100		G 2 - R 2
1/1504 B	4,00	7,45	106		G 2 - R 2
1/1505 B	5,50	10,00	148		G 2 - R 2
1/1506 B	5,50	10,00	149		G 2 - R 2
1/1507 B	7,50	13,40	154		G 2 - R 2
1/1508 B	7,50	13,40	156		G 2 - R 2
1/1509 B	11,00	19,30	238		G 2 - R 2
1/1510 B	11,00	19,30	239		G 2 - R 2
1/2502 B	4,00	7,45	141		DN 65
1/2503 B	5,50	10,00	173		DN 65
1/2504 B	7,50	13,40	180		DN 65
1/2505 B	11,00	19,30	267		DN 65
1/2506 B	11,00	19,30	270		DN 65
1/2507 B	15,00	26,20	308		DN 65
1/4002-2 B	5,50	10,00	147		DN 80
1/4002 B	7,50	13,40	151		DN 80
1/4003-2 B	11,00	19,30	228		DN 80
1/4003 B	11,00	19,30	228		DN 80
1/4004-2 B	15,00	26,20	256		DN 80
1/4004 B	15,00	26,20	270		DN 80
1/4005-2 B	18,50	31,80	280		DN 80
1/4005 B	18,50	31,80	296		DN 80
1/4006-2 B	18,50	31,80	298		DN 80
1/4006 B	22,00	37,60	335		DN 80
1/6001 B	5,50	10,00	156		DN 100
1/6002-2 B	7,50	13,40	163		DN 100
1/6002 B	11,00	19,30	238		DN 100
1/6003-2 B	15,00	26,20	281		DN 100
1/6003 B	18,50	31,80	292		DN 100
1/6004-2 B	18,50	31,80	311		DN 100
1/6004 B	22,00	37,60	351		DN 100
1/6005-2 B	22,00	37,60	354		DN 100
1/9002-2 B	11,00	19,30	298		DN 100
1/9002-1 B	15,00	26,20	330		DN 100
1/9002 B	15,00	26,20	330		DN 100
1/9003-2 B	18,5	37,60	402		DN 100
1/9003-1 B	22,0	31,80	365		DN 100
1/9003 B	22,00	37,60	402		DN 100
1/9004-2 B	30,00	51,60	527		DN 100
1/9004-1 B	30,00	51,60	527		DN 100
1/9004 B	30,00	51,60	527		DN 100
1/9005-2 B	37,00	63,30	567		DN 100
1/9005-1 B	37,00	63,30	567		DN 100
1/9005 B	37,00	63,30	567		DN 100

Hya-Solo DSV

Selection table

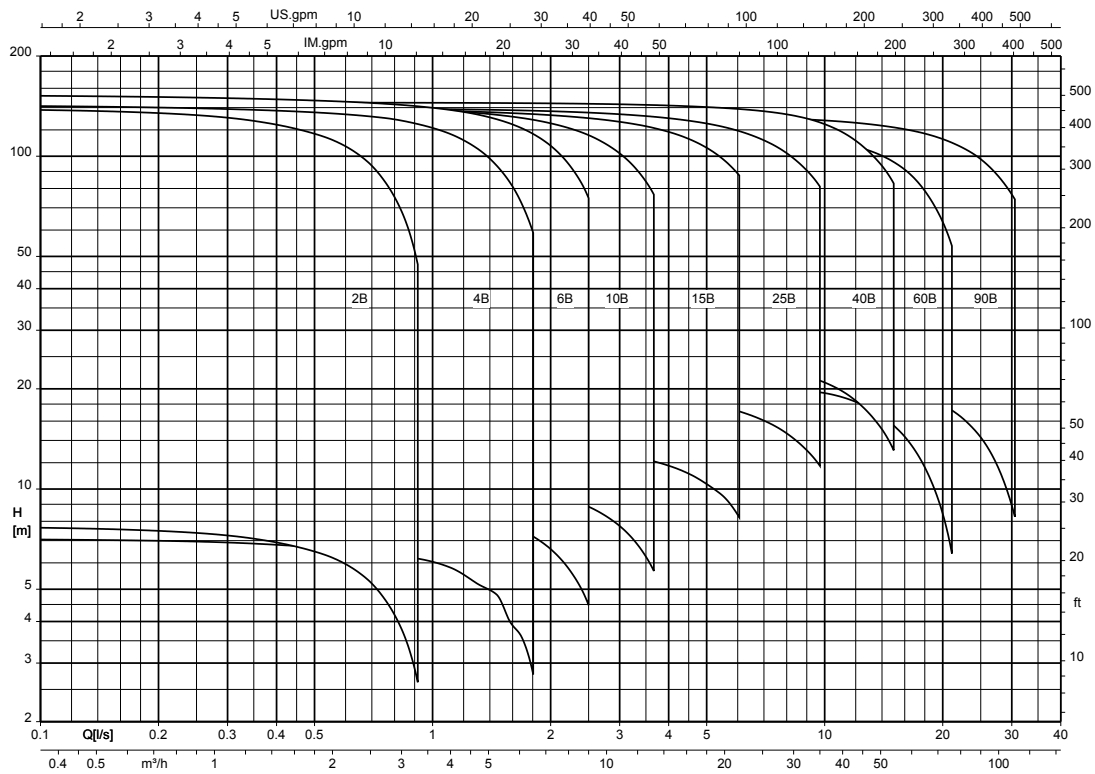
Hya-Solo DSV	P _N	I _N		[kg]	Connection Suction side - Discharge side
		3~400 V			
	[kW]	[A]			
1/0202 B	0,55	1,60	46		G 1 - R 1
1/0203 B	0,55	1,60	46		G 1 - R 1
1/0204 B	0,55	1,60	47		G 1 - R 1
1/0205 B	0,55	1,60	47		G 1 - R 1
1/0206 B	0,55	1,60	50		G 1 - R 1

Hya-Solo DSV	P _N	I _N		[kg]	Connection Suction side - Discharge side
		3~400 V			
	[kW]	[A]			
1/0207 B	0,55	1,60		50	G 1 - R 1
1/0208 B	0,55	1,60		50	G 1 - R 1
1/0209 B	0,75	2,10		53	G 1 - R 1
1/0210 B	0,75	2,10		53	G 1 - R 1
1/0211 B	1,10	3,00		56	G 1 - R 1
1/0212 B	1,10	3,00		56	G 1 - R 1
1/0214 B	1,10	3,00		57	G 1 - R 1
1/0216 B	1,50	4,10		62	G 1 - R 1
1/0218 B	1,50	4,10		62	G 1 - R 1
1/0402 B	0,55	1,60		46	G 1 - R 1
1/0403 B	0,55	1,60		48	G 1 - R 1
1/0404 B	0,55	1,60		49	G 1 - R 1
1/0405 B	0,75	2,10		51	G 1 - R 1
1/0406 B	1,10	3,00		54	G 1 - R 1
1/0407 B	1,10	3,00		54	G 1 - R 1
1/0408 B	1,50	4,10		58	G 1 - R 1
1/0409 B	1,50	4,10		59	G 1 - R 1
1/0410 B	1,50	4,10		59	G 1 - R 1
1/0411 B	2,20	5,60		62	G 1 - R 1
1/0412 B	2,20	5,60		63	G 1 - R 1
1/0414 B	2,20	5,60		64	G 1 - R 1
1/0416 B	3,00	7,60		78	G 1 - R 1
1/0602 B	0,55	1,60		47	G 1 1/4 - R 1 1/4
1/0603 B	0,75	2,10		51	G 1 1/4 - R 1 1/4
1/0604 B	1,10	3,00		54	G 1 1/4 - R 1 1/4
1/0605 B	1,10	3,00		55	G 1 1/4 - R 1 1/4
1/0606 B	1,50	4,10		59	G 1 1/4 - R 1 1/4
1/0607 B	1,50	4,10		59	G 1 1/4 - R 1 1/4
1/0608 B	2,20	5,60		63	G 1 1/4 - R 1 1/4
1/0609 B	2,20	5,60		63	G 1 1/4 - R 1 1/4
1/0610 B	2,20	5,60		64	G 1 1/4 - R 1 1/4
1/0611 B	3,00	7,60		74	G 1 1/4 - R 1 1/4
1/0612 B	3,00	7,60		74	G 1 1/4 - R 1 1/4
1/0614 B	3,00	7,60		75	G 1 1/4 - R 1 1/4
1/0616 B	4,00	9,40		85	G 1 1/4 - R 1 1/4
1/1002 B	0,75	2,10		64	G 1 1/2 - R 1 1/2
1/1003 B	1,10	3,00		67	G 1 1/2 - R 1 1/2
1/1004 B	1,50	4,10		72	G 1 1/2 - R 1 1/2
1/1005 B	2,20	5,60		76	G 1 1/2 - R 1 1/2
1/1006 B	2,20	5,60		76	G 1 1/2 - R 1 1/2
1/1007 B	3,00	7,60		85	G 1 1/2 - R 1 1/2
1/1008 B	3,00	7,60		86	G 1 1/2 - R 1 1/2
1/1009 B	4,00	9,40		93	G 1 1/2 - R 1 1/2
1/1010 B	4,00	9,40		94	G 1 1/2 - R 1 1/2
1/1011 B	4,00	9,40		95	G 1 1/2 - R 1 1/2
1/1013 B	5,50	12,50		135	G 1 1/2 - R 1 1/2
1/1502 B	2,20	5,60		73	G 2 - R 2
1/1503 B	3,00	7,60		82	G 2 - R 2
1/1504 B	4,00	9,40		88	G 2 - R 2
1/1505 B	5,50	12,50		127	G 2 - R 2
1/1506 B	5,50	12,50		128	G 2 - R 2
1/1507 B	7,50	16,70		133	G 2 - R 2
1/1508 B	7,50	16,70		135	G 2 - R 2
1/1509 B	11,00	23,70		225	G 2 - R 2
1/1510 B	11,00	23,70		226	G 2 - R 2
1/2502 B	4,00	9,40		134	DN 65

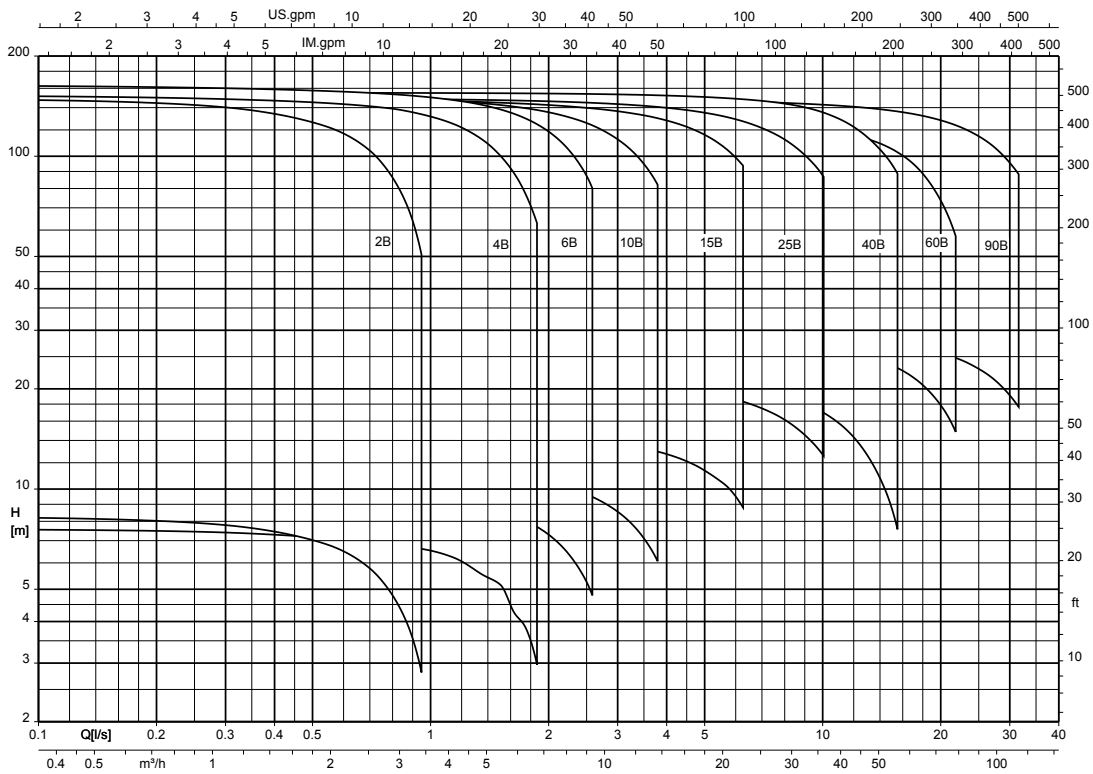
Hya-Solo DSV	P _N	I _N	[kg]	Connection Suction side - Discharge side
	[kW]	3~400 V [A]		
1/2503 B	5,50	12,50	163	DN 65
1/2504 B	7,50	16,70	170	DN 65
1/2505 B	11,00	23,70	265	DN 65
1/2506 B	11,00	23,70	268	DN 65
1/2507 B	15,00	32,00	280	DN 65
1/4002-2 B	5,50	12,50	137	DN 80
1/4002 B	7,50	16,70	141	DN 80
1/4003-2 B	11,00	23,70	226	DN 80
1/4003 B	11,00	23,70	226	DN 80
1/4004-2 B	15,00	32,00	228	DN 80
1/4004 B	15,00	32,00	242	DN 80
1/4005-2 B	18,50	38,80	252	DN 80
1/4005 B	18,50	38,80	266	DN 80
1/4006-2 B	18,50	38,80	269	DN 80
1/4006 B	22,00	50,70	305	DN 80
1/6001 B	5,50	12,50	146	DN 100
1/6002-2 B	7,50	16,70	153	DN 100
1/6002 B	11,00	23,70	236	DN 100
1/6003-2 B	15,00	32,00	253	DN 100
1/6003 B	18,50	38,80	263	DN 100
1/6004-2 B	18,50	38,80	282	DN 100
1/6004 B	22,00	50,70	321	DN 100
1/6005-2 B	22,00	50,70	324	DN 100
1/9002-2 B	11,00	23,70	296	DN 100
1/9002-1 B	15,00	32,00	302	DN 100
1/9002 B	15,00	32,00	302	DN 100
1/9003-2 B	18,50	38,80	336	DN 100
1/9003-1 B	22,00	50,70	372	DN 100
1/9003 B	22,00	50,70	372	DN 100
1/9004-2 B	30,00	63,50	496	DN 100
1/9004-1 B	30,00	63,50	496	DN 100
1/9004 B	30,00	63,50	496	DN 100
1/9005-2 B	37,00	77,80	534	DN 100
1/9005-1 B	37,00	77,80	534	DN 100
1/9005 B	37,00	77,80	534	DN 100

Selection charts

Hya-Solo D, n = 2900 rpm

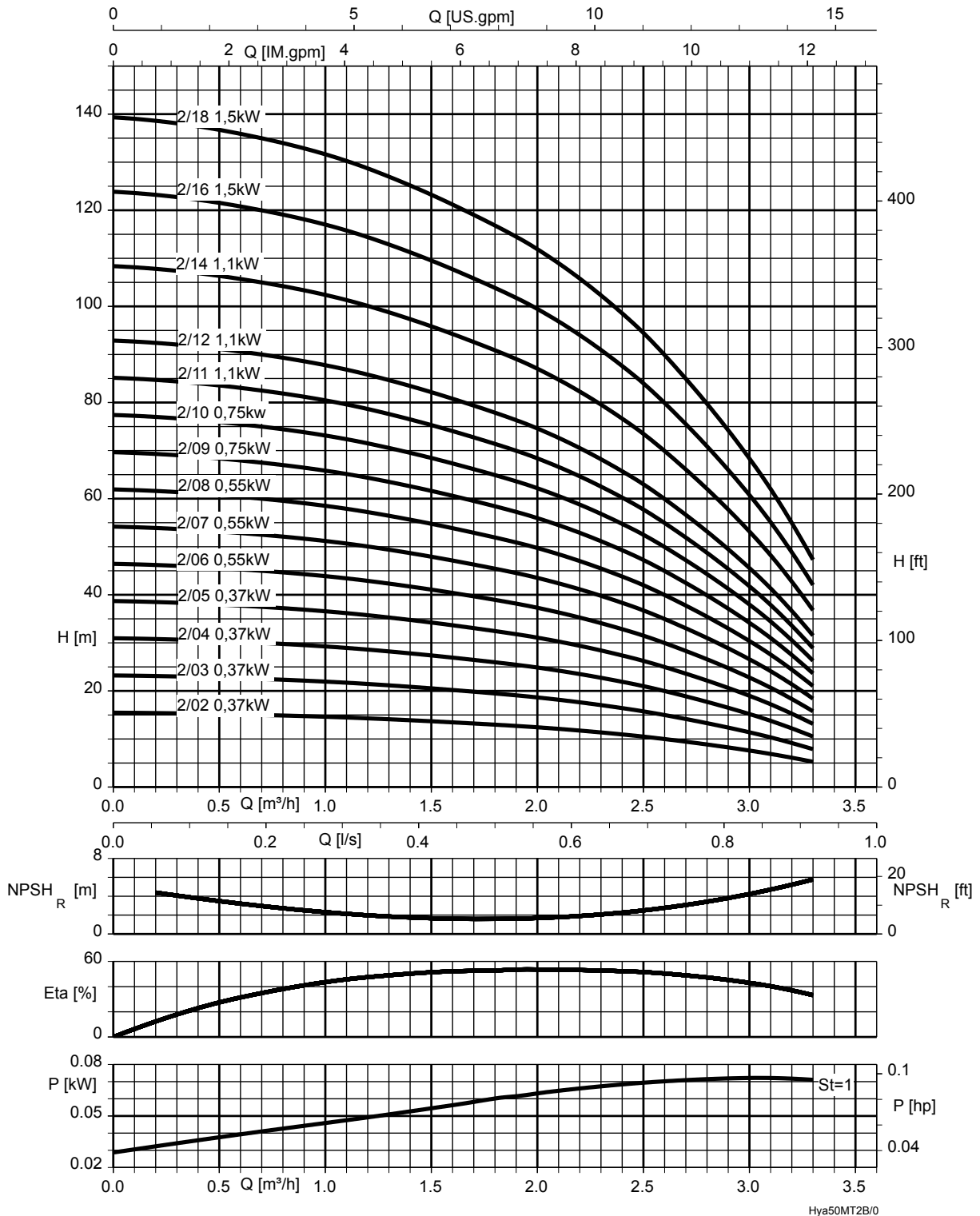


Hya-Solo DSV, n = 3000 rpm



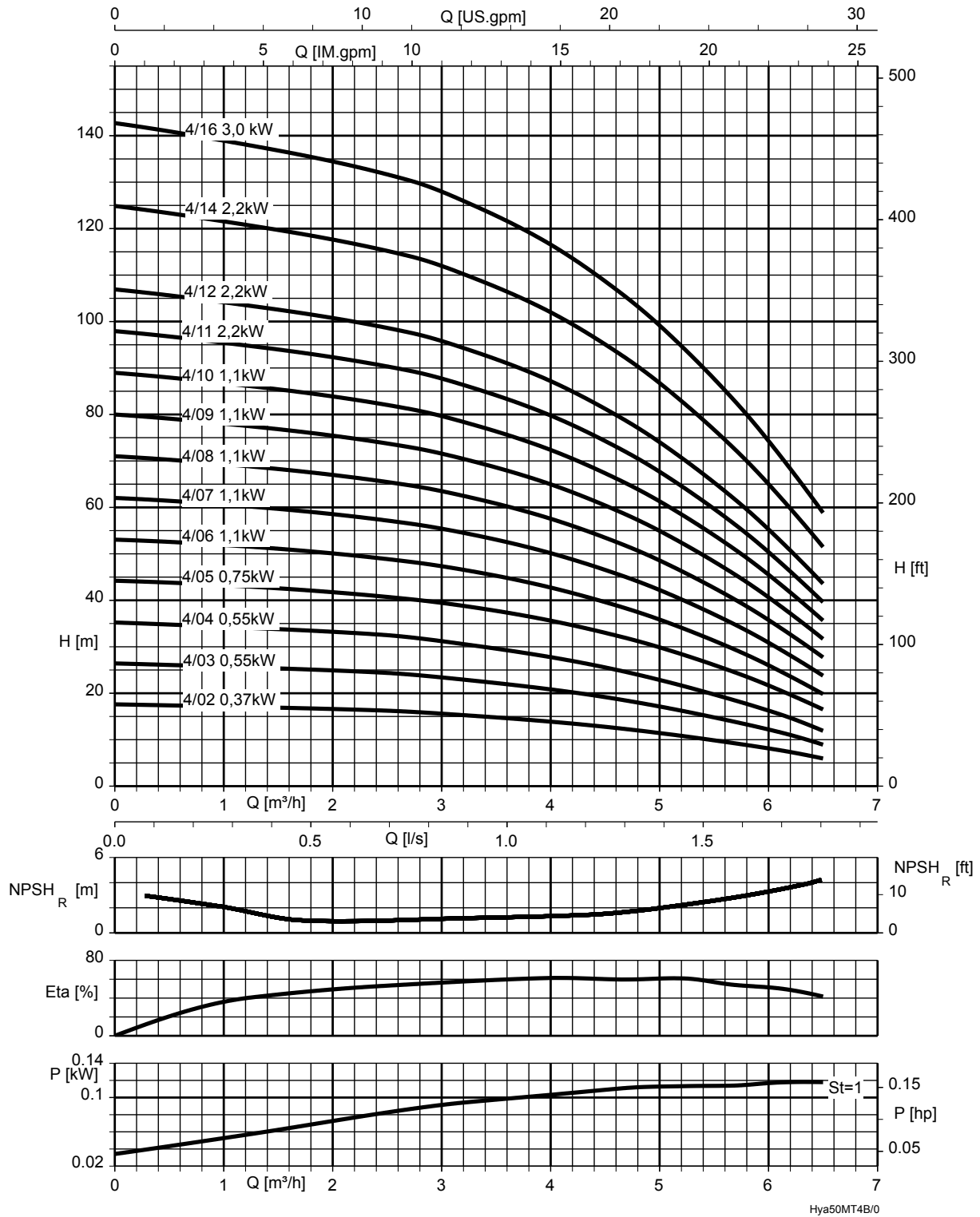
Characteristic curves

Hya-Solo D with Movitec 2B, n = 2900 rpm



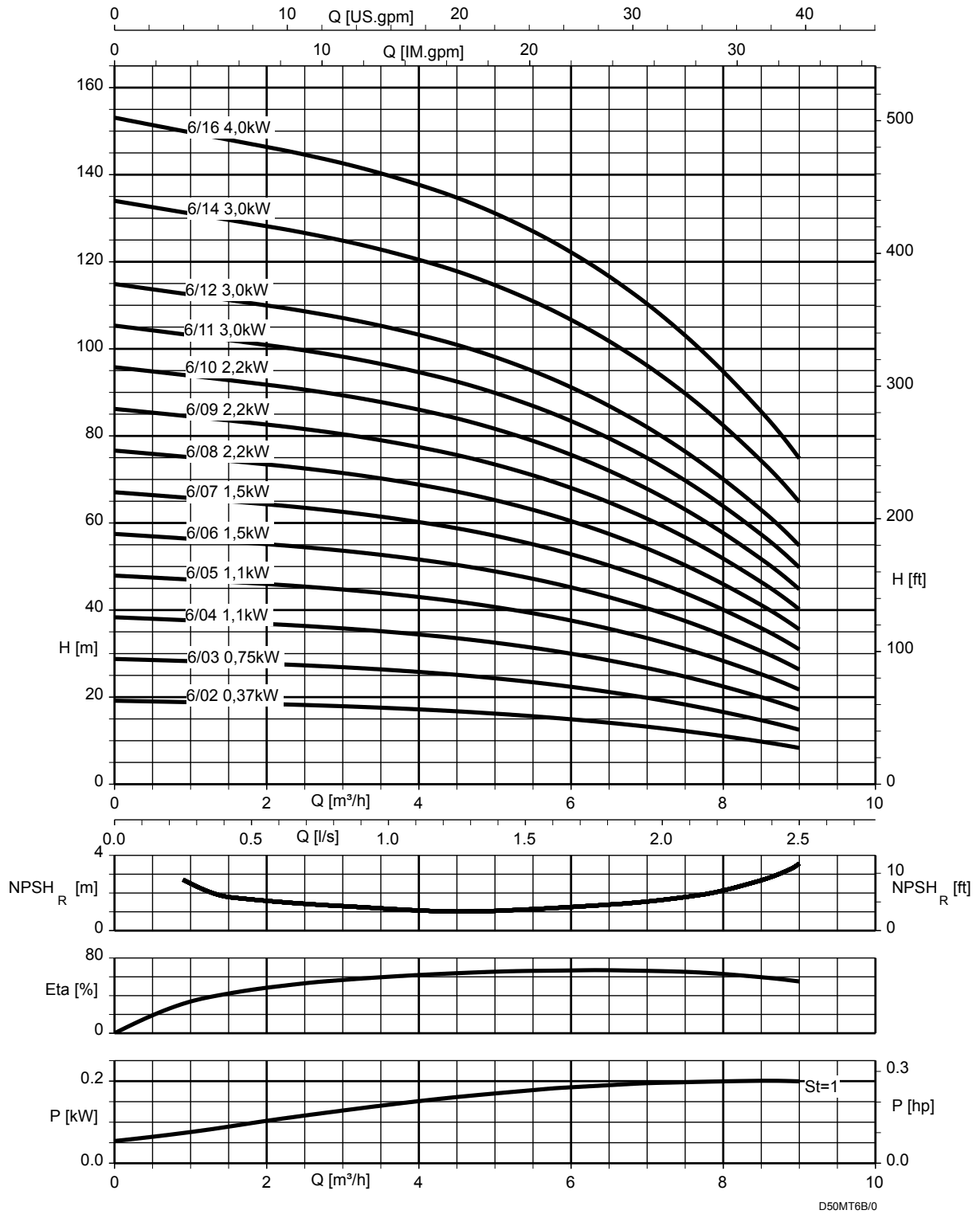
St = 1 | P per stage

Hya-Solo D with Movitec 4B, n = 2900 rpm



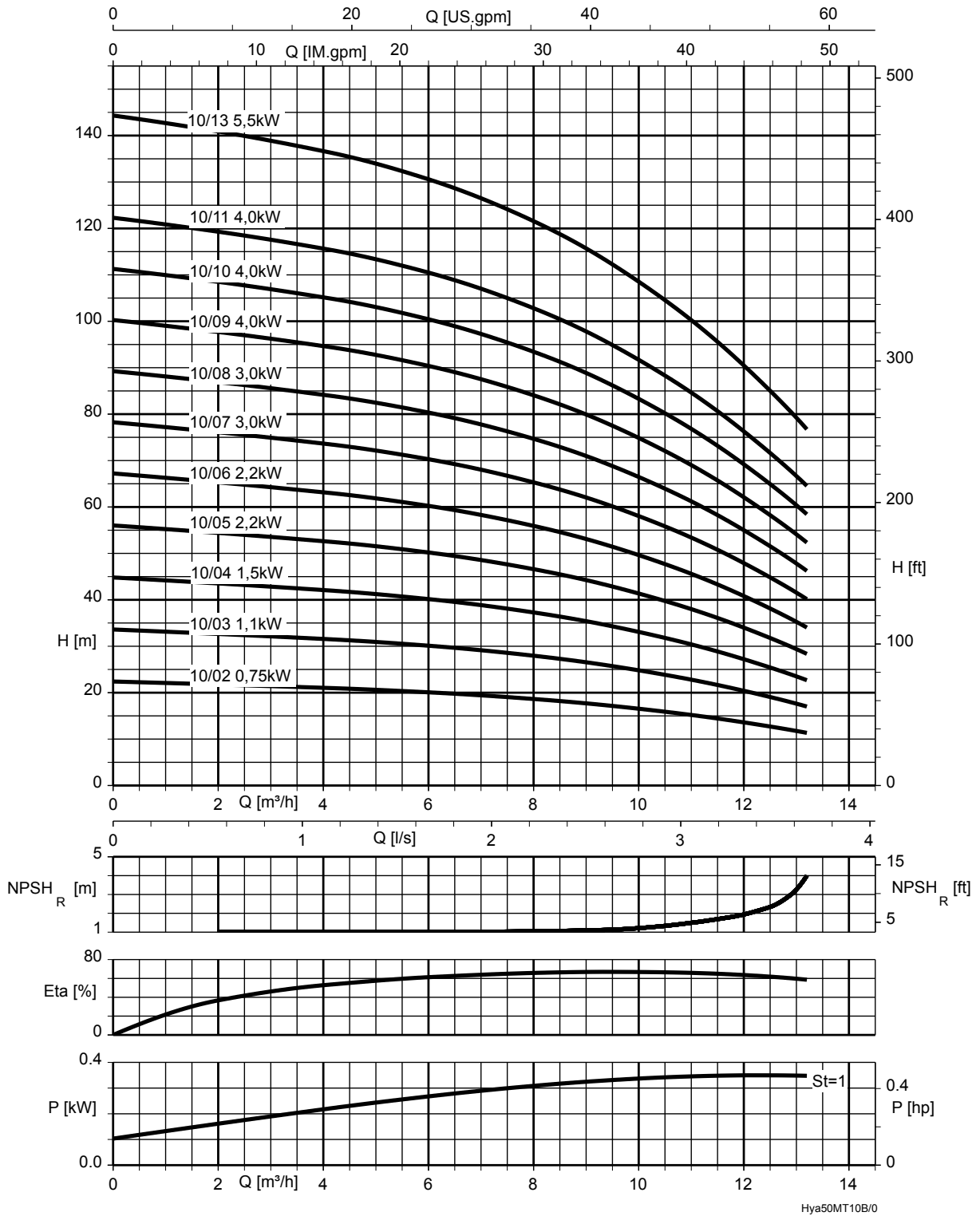
St = 1 | P per stage

Hya-Solo D with Movitec 6B, n = 2900 rpm



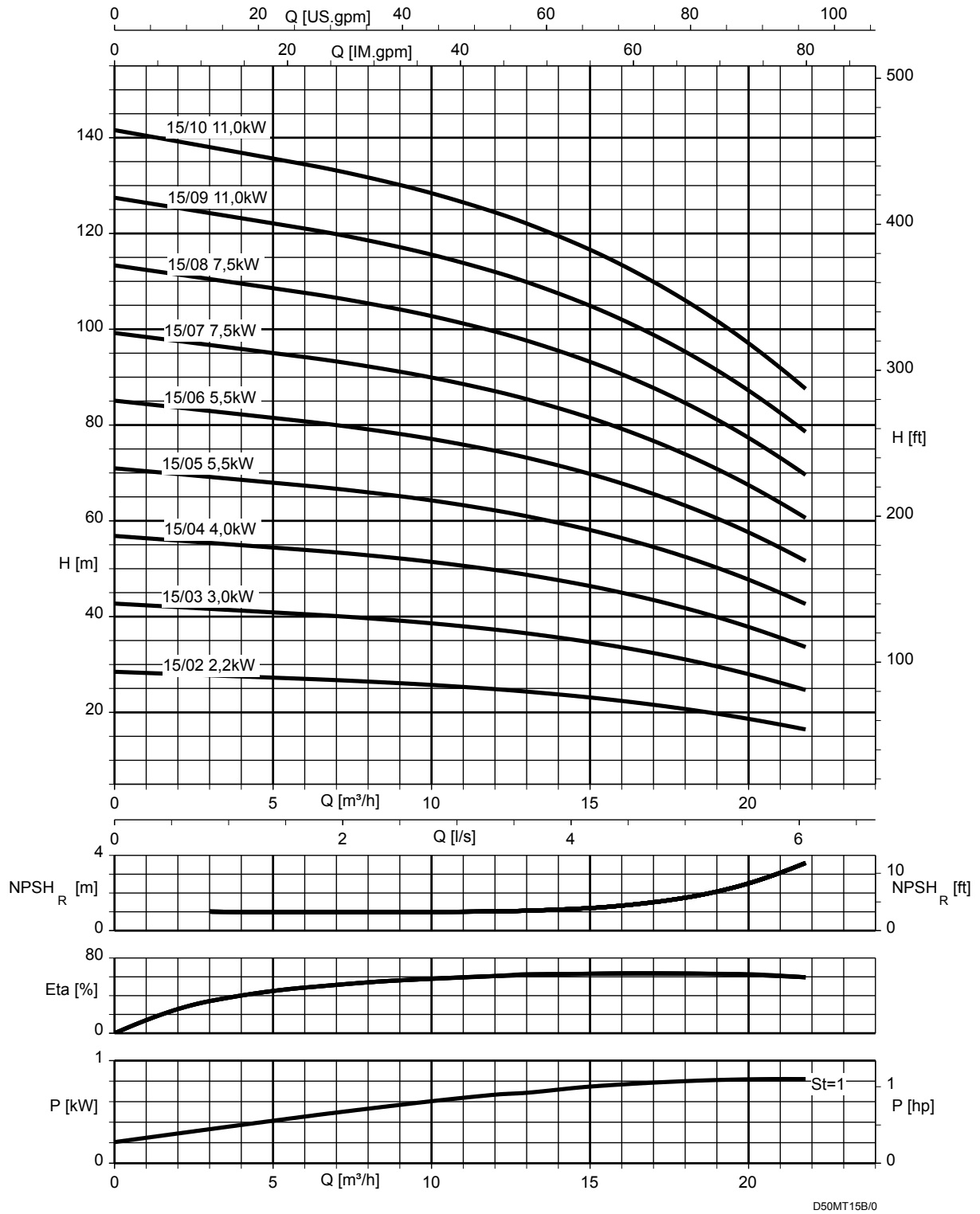
St = 1 | P per stage

Hya-Solo D with Movitec 10B, n = 2900 rpm



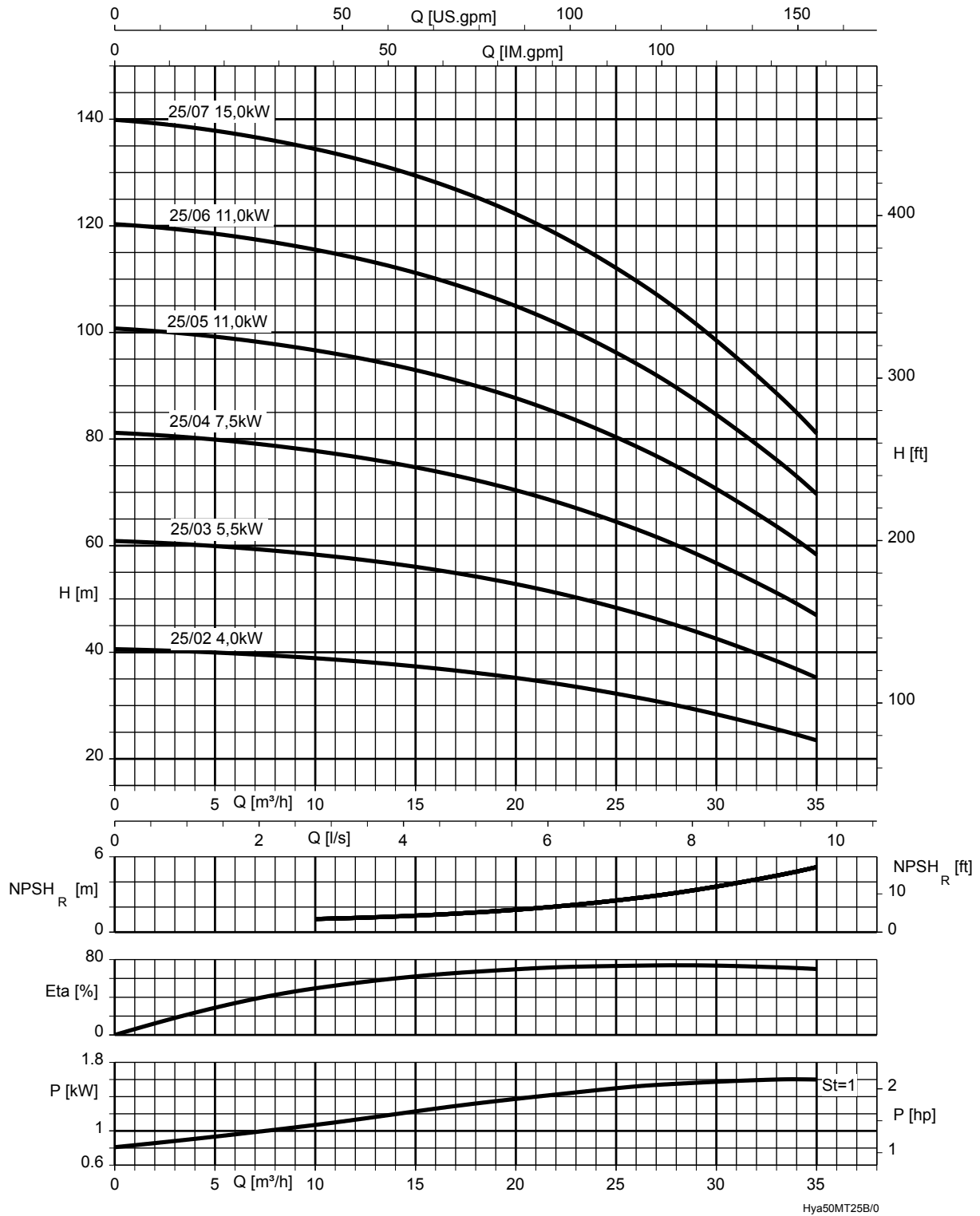
St = 1 | P per stage

Hya-Solo D with Movitec 15B, n = 2900 rpm



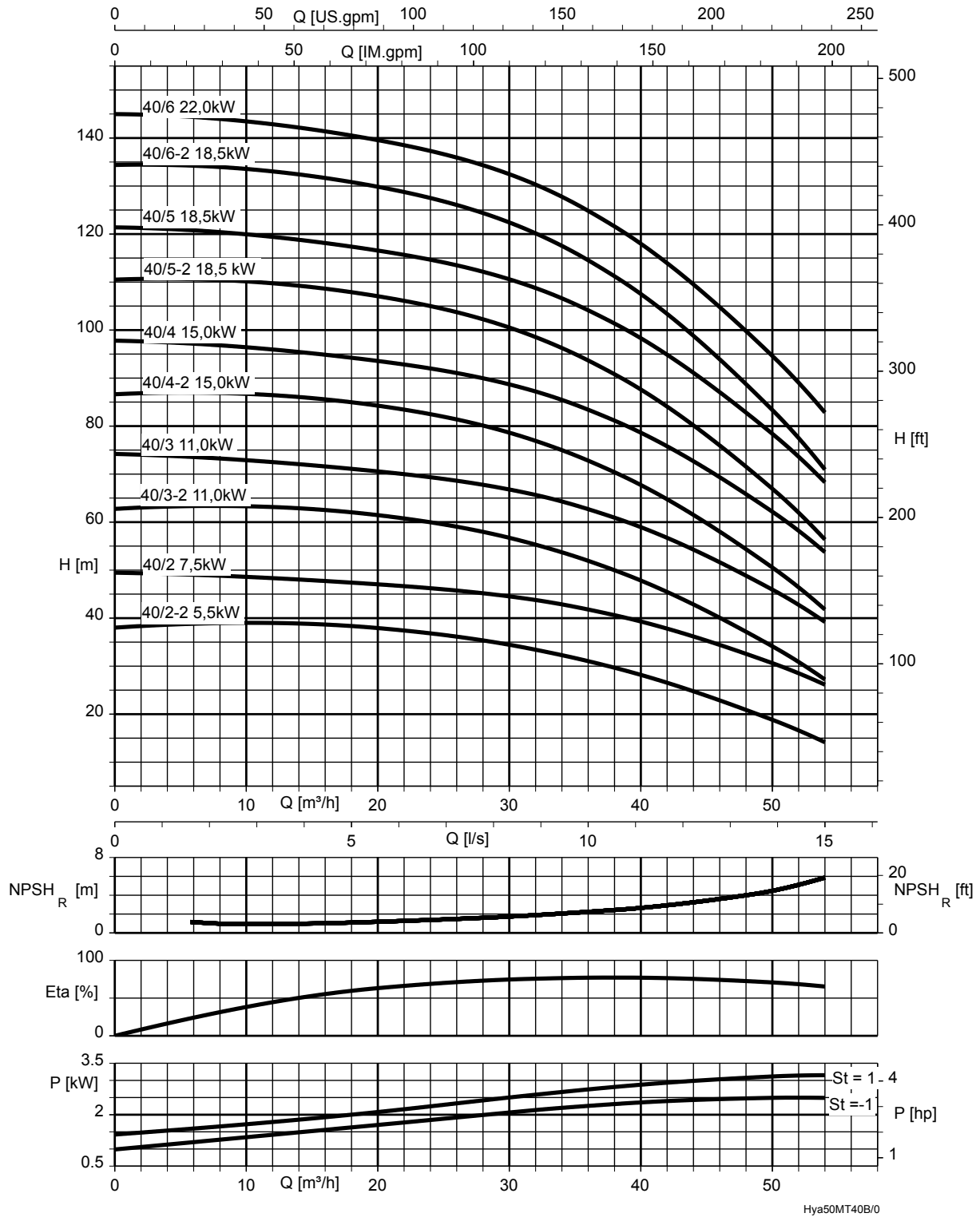
St = 1 | P per stage

Hya-Solo D with Movitec 25B, n = 2900 rpm



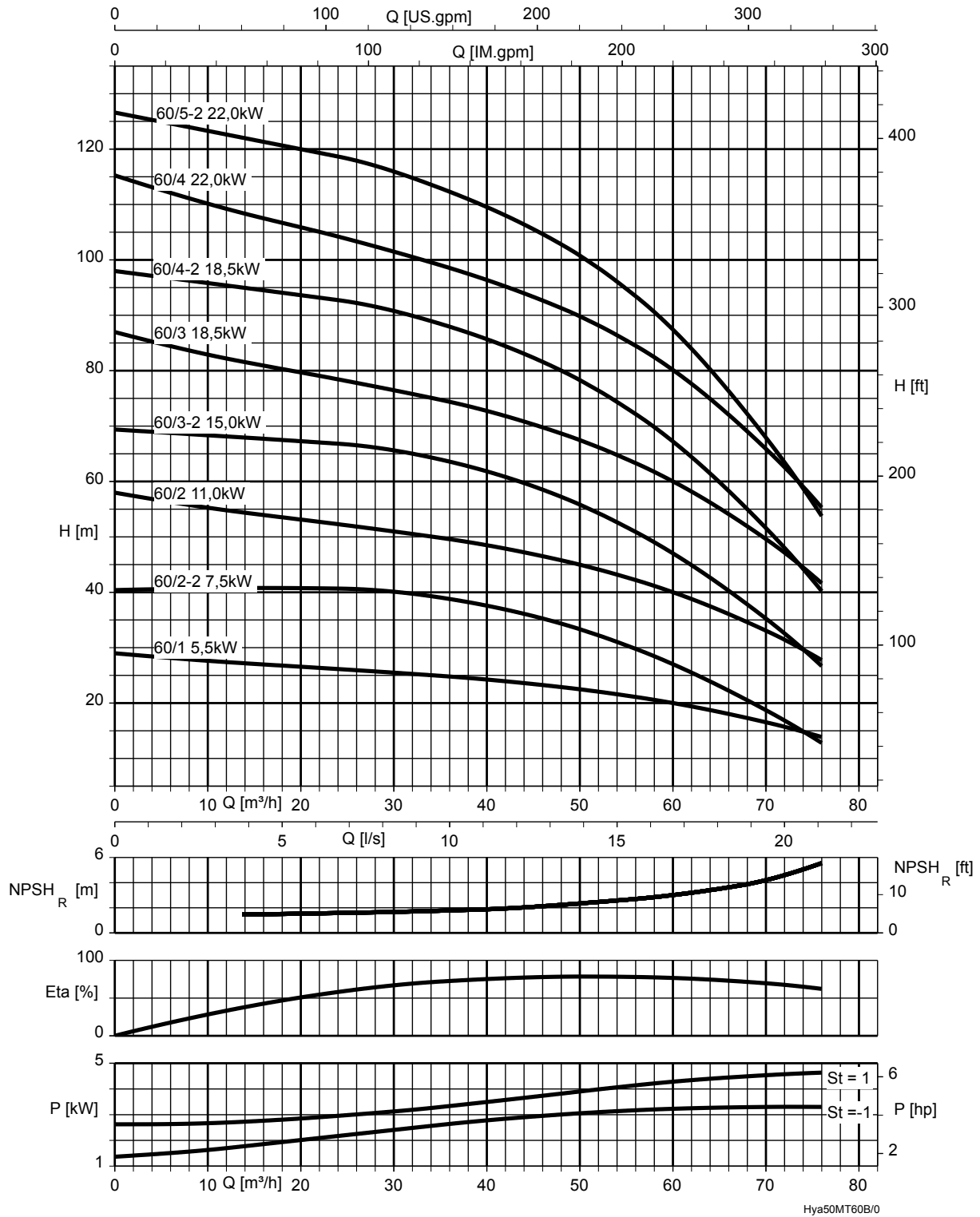
St = 1 | P per stage

Hya-Solo D with Movitec 40B, n = 2900 rpm



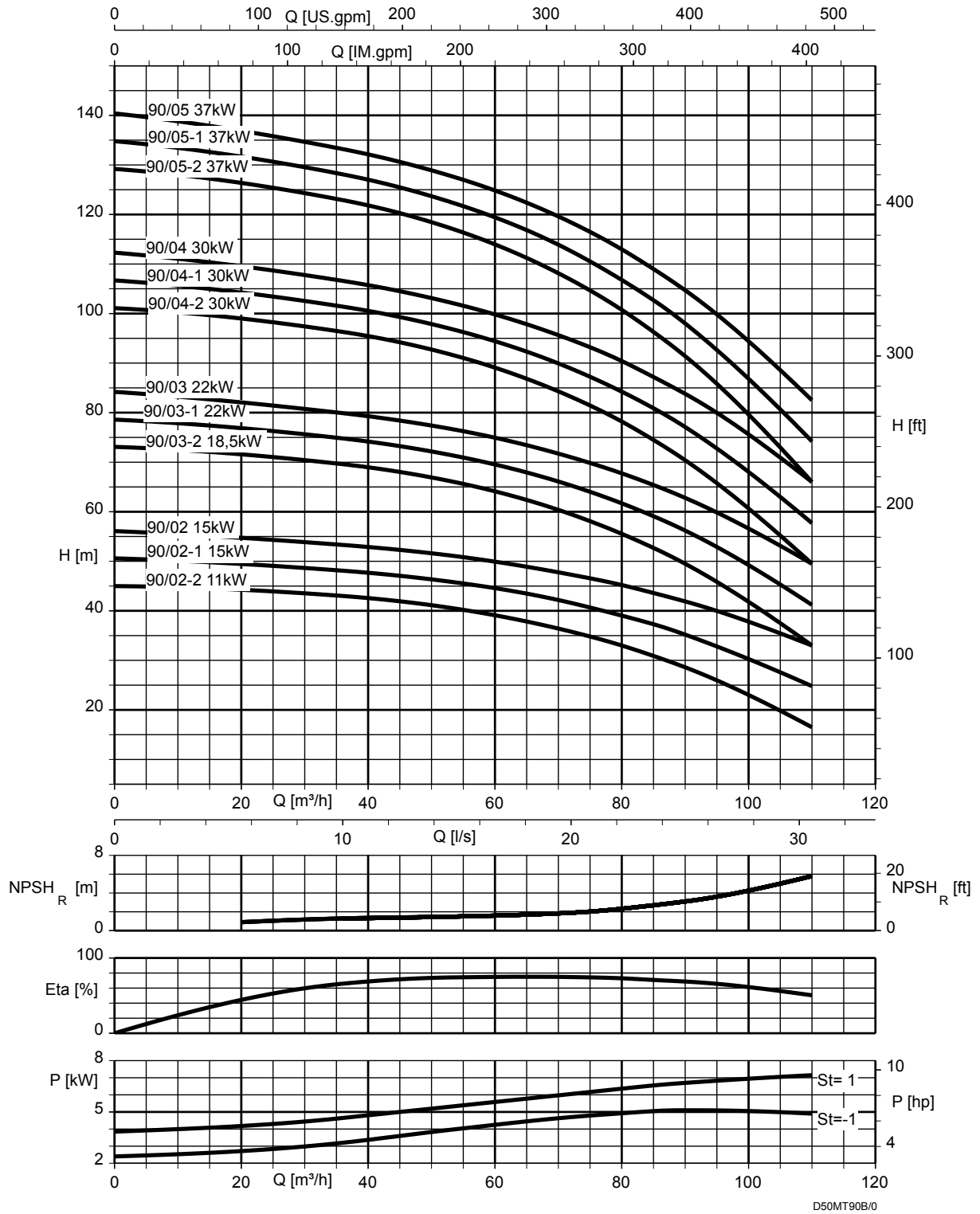
St = 1 P per stage	St = -1 P per stage with a smaller impeller
----------------------	---

Hya-Solo D with Movitec 60B, n = 2900 rpm



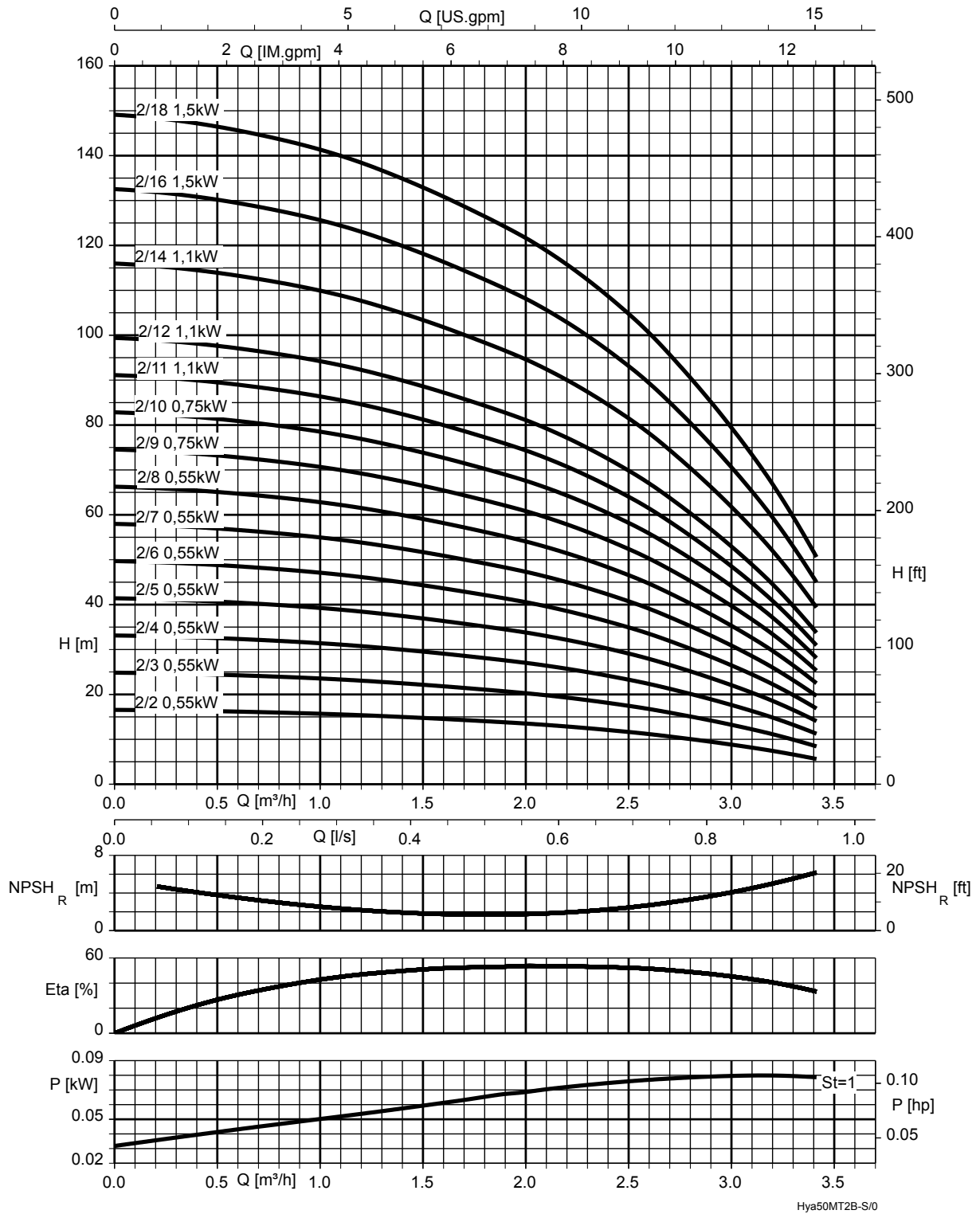
St = 1	P per stage	St = -1	P per stage with a smaller impeller
--------	-------------	---------	-------------------------------------

Hya-Solo D with Movitec 90B, n = 2900 rpm



St = 1	P per stage	St = -1	P per stage with a smaller impeller
--------	-------------	---------	-------------------------------------

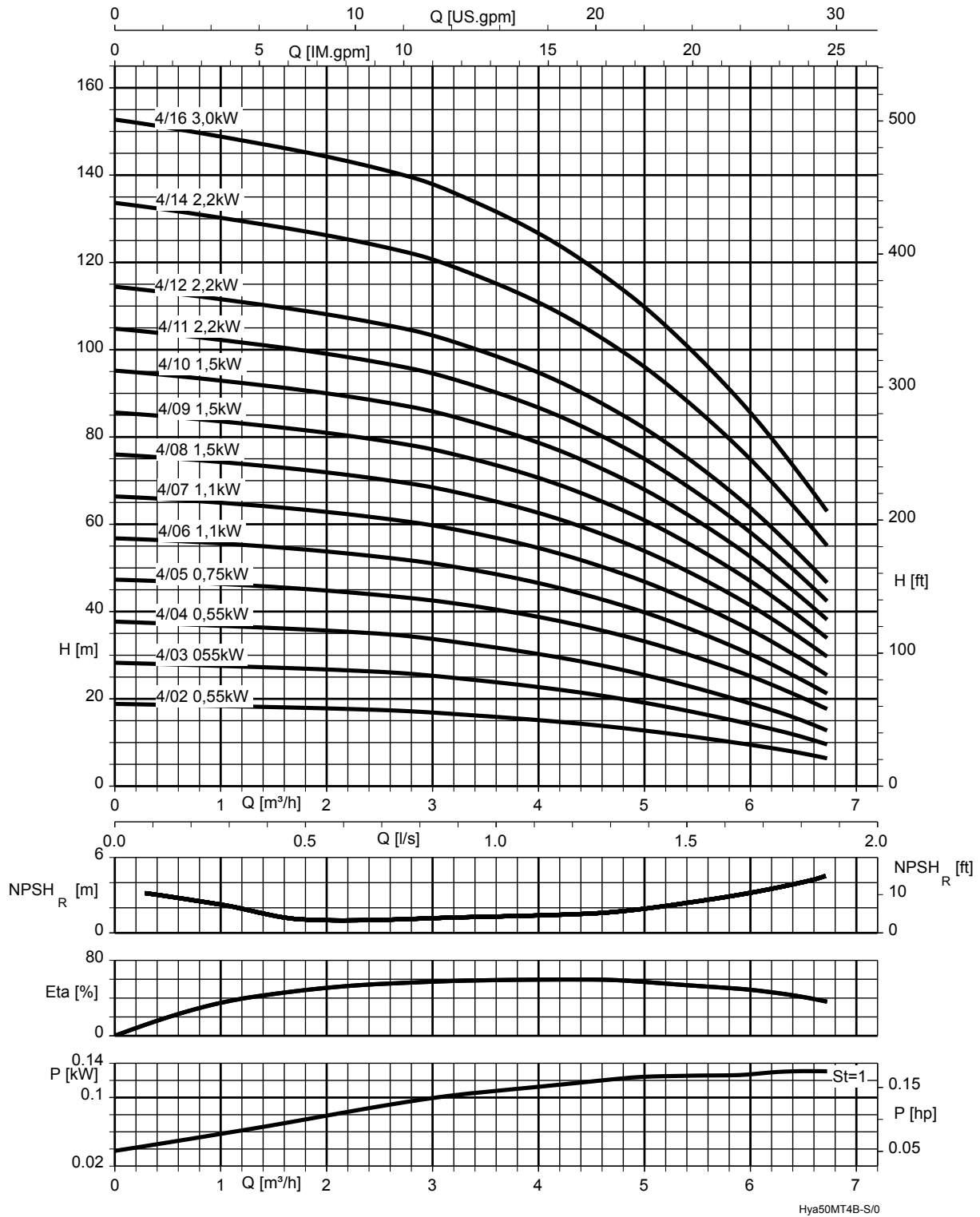
Hya-Solo DSV with Movitec 2B, n = 3000 rpm



i Systems with 8 and 10 stages
The actual curve will deviate from the documented curve due to the reduced speed. An accurate selection can only be made with KSB's selection program KSB EasySelect.

St = 1	P per stage
--------	-------------

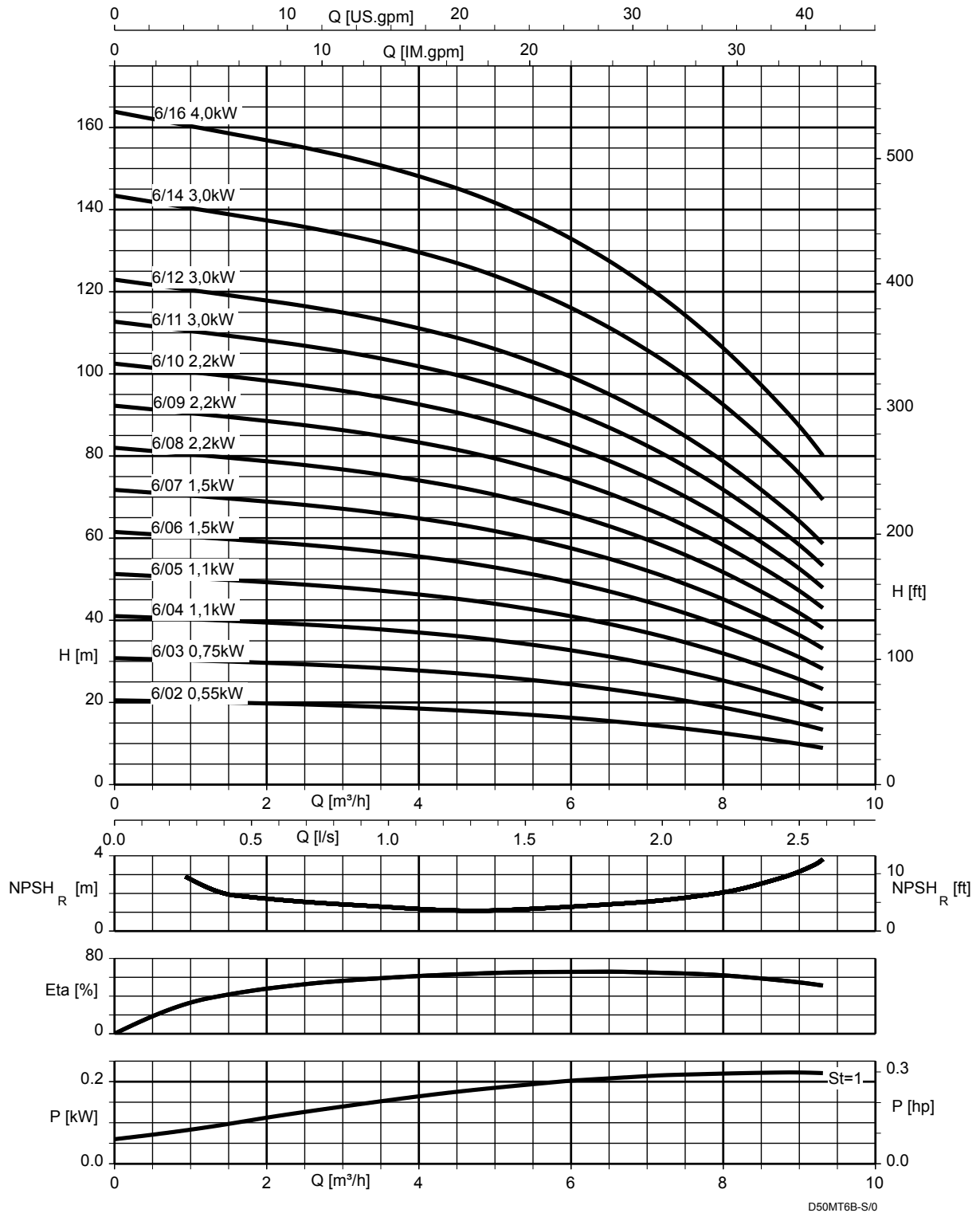
Hya-Solo DSV with Movitec 4B, n = 3000 rpm



i Systems with 4, 5 and 10 stages
The actual curve will deviate from the documented curve due to the reduced speed. An accurate selection can only be made with KSB's selection program KSB EasySelect.

St = 1	P per stage
--------	-------------

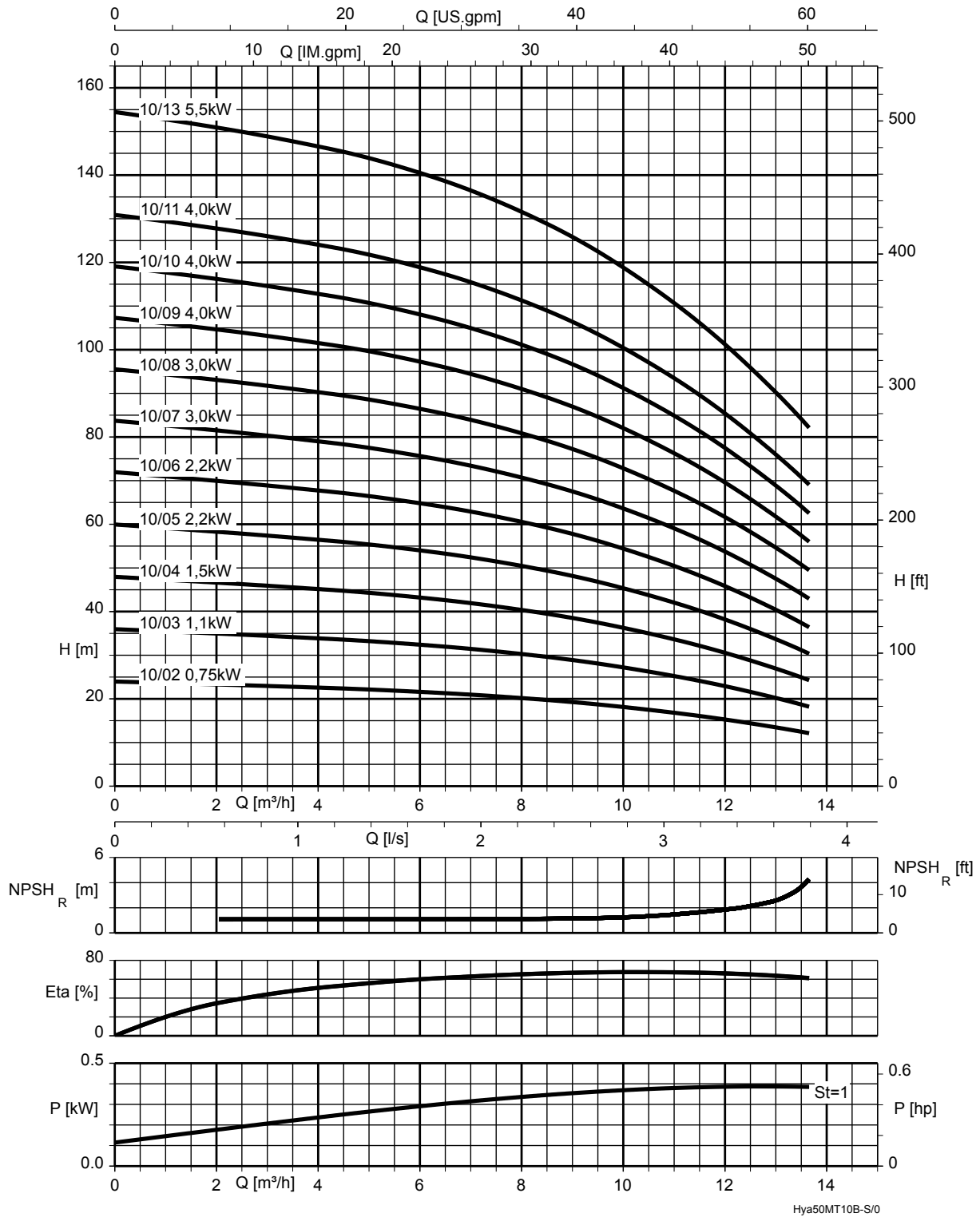
Hya-Solo DSV with Movitec 6B, n = 3000 rpm



i Systems with 2, 14 and 16 stages
The actual curve will deviate from the documented curve due to the reduced speed. An accurate selection can only be made with KSB's selection program KSB EasySelect.

St = 1	P per stage
--------	-------------

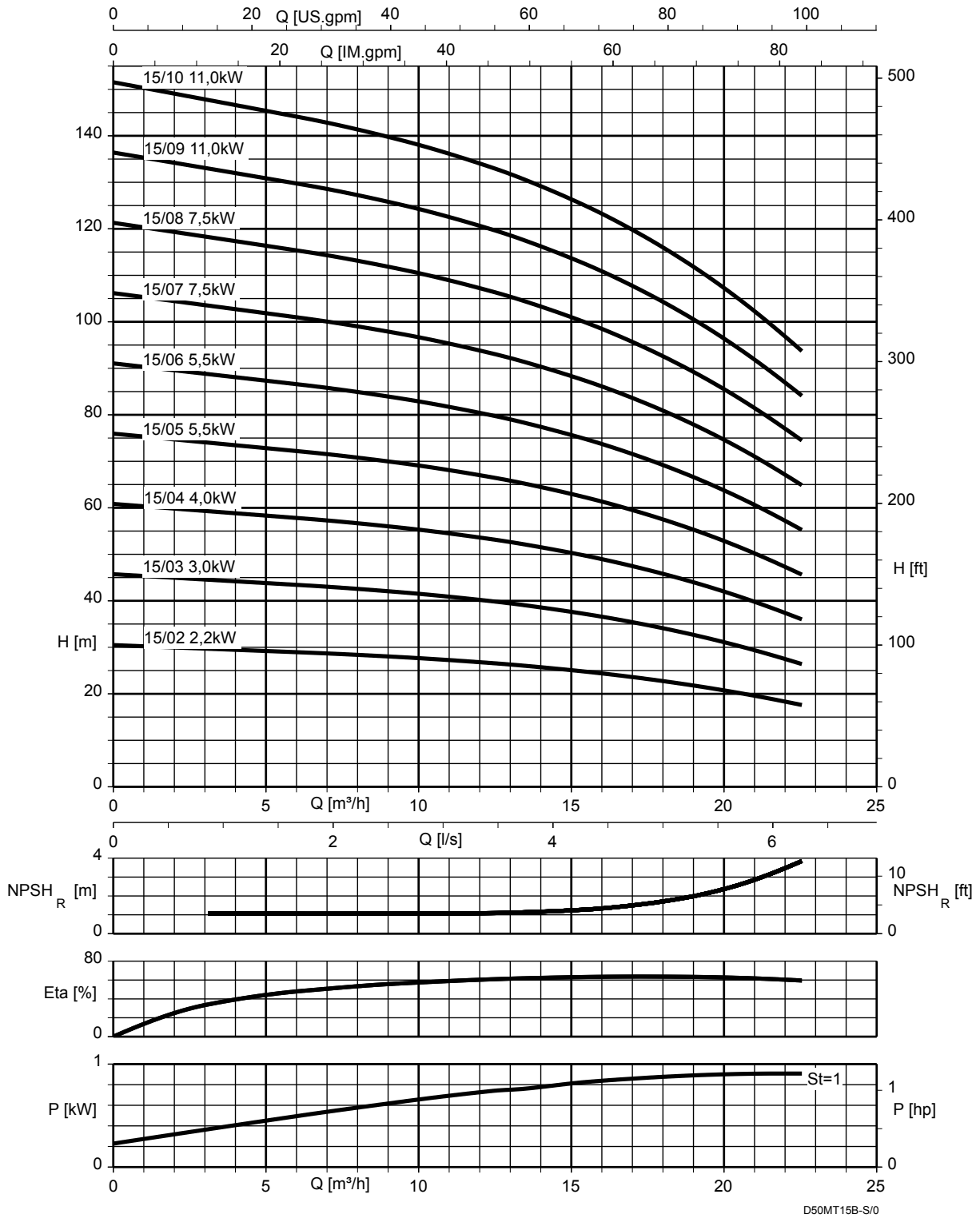
Hya-Solo DSV with Movitec 10B, n = 3000 rpm



i Systems with 2, 3, 4, 8 and 11 stages
The actual curve will deviate from the documented curve due to the reduced speed. An accurate selection can only be made with KSB's selection program KSB EasySelect.

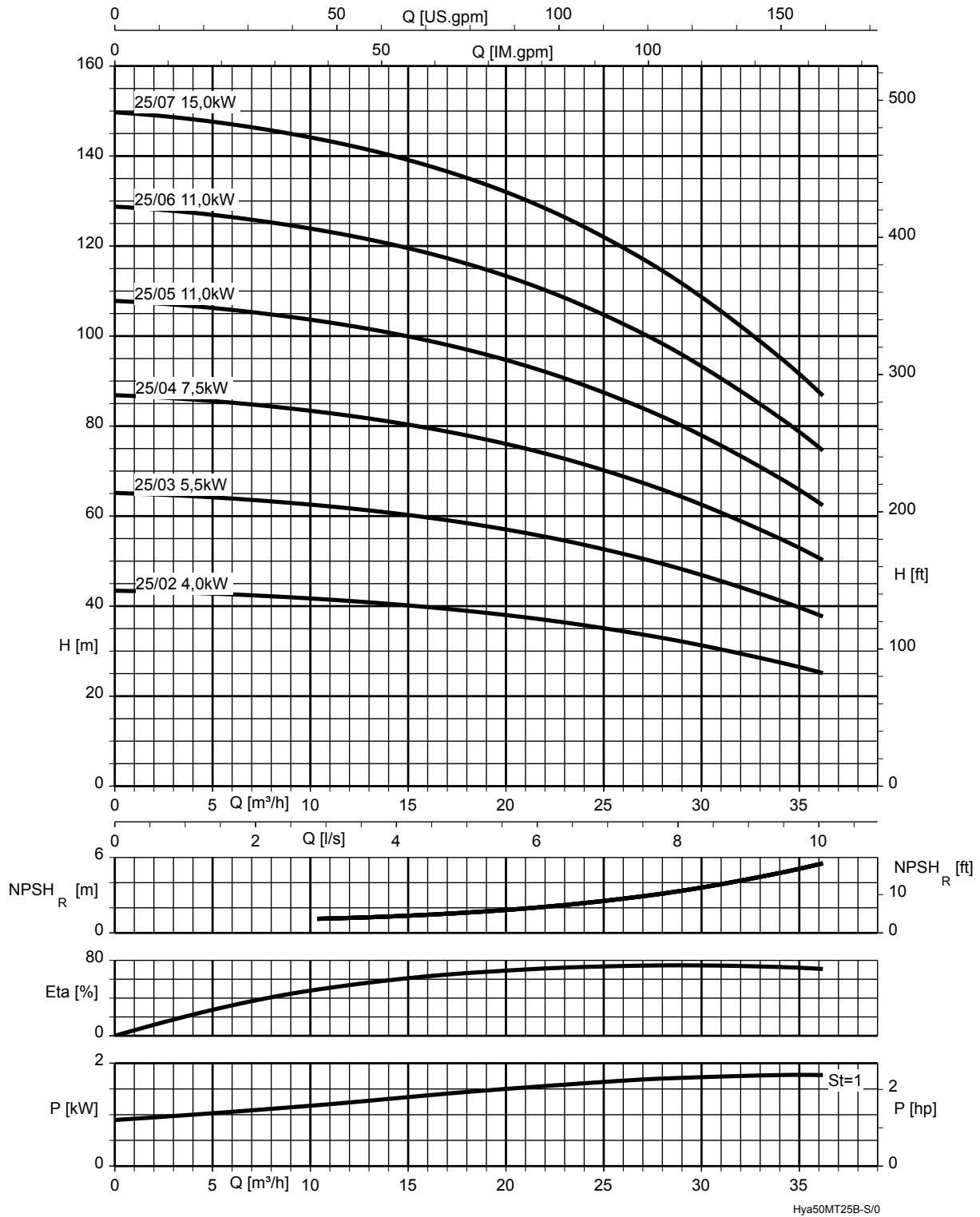
St = 1	P per stage
--------	-------------

Hya-Solo DSV with Movitec 15B, n = 3000 rpm



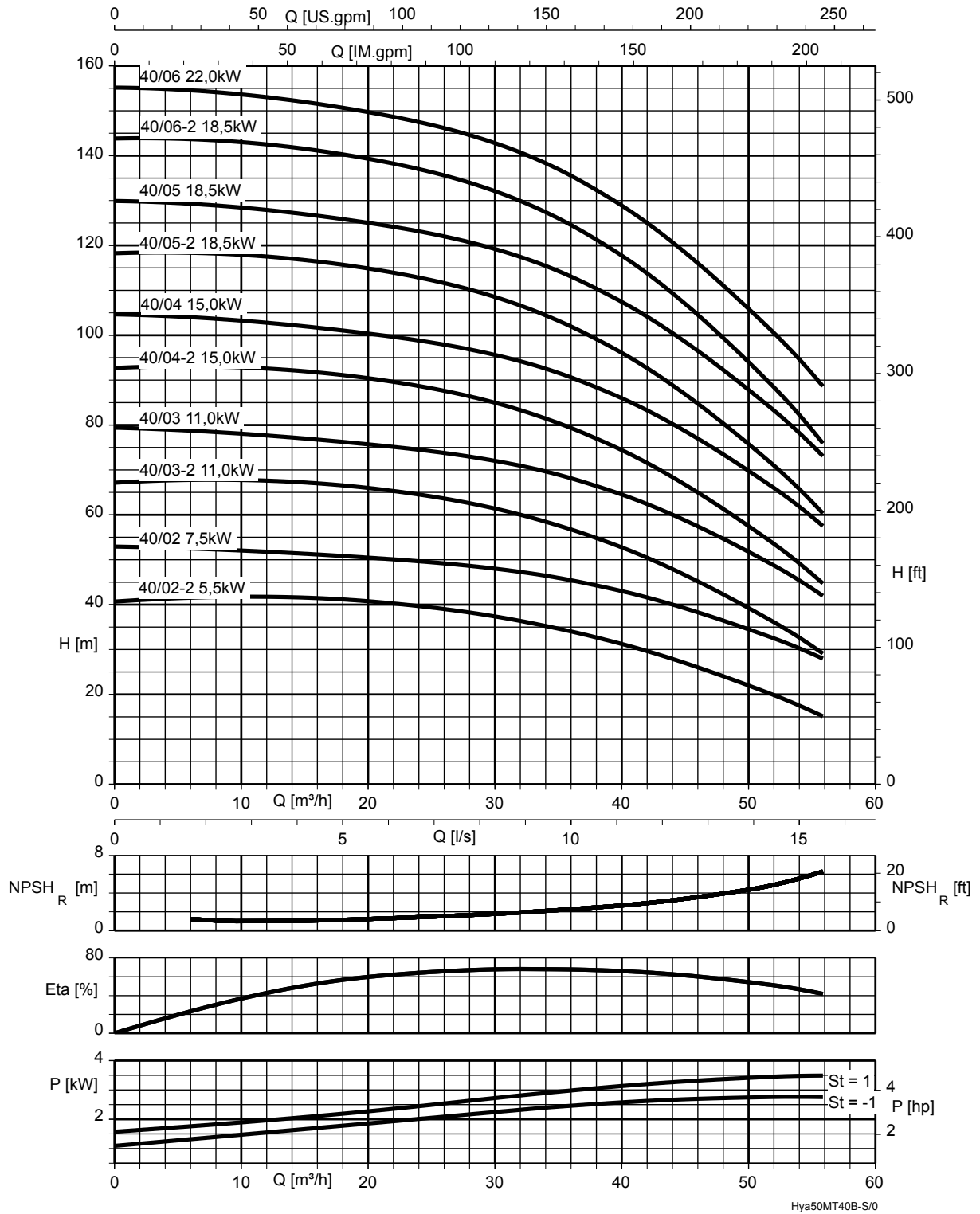
St = 1 | P per stage

Hya-Solo DSV with Movitec 25B, n = 3000 rpm



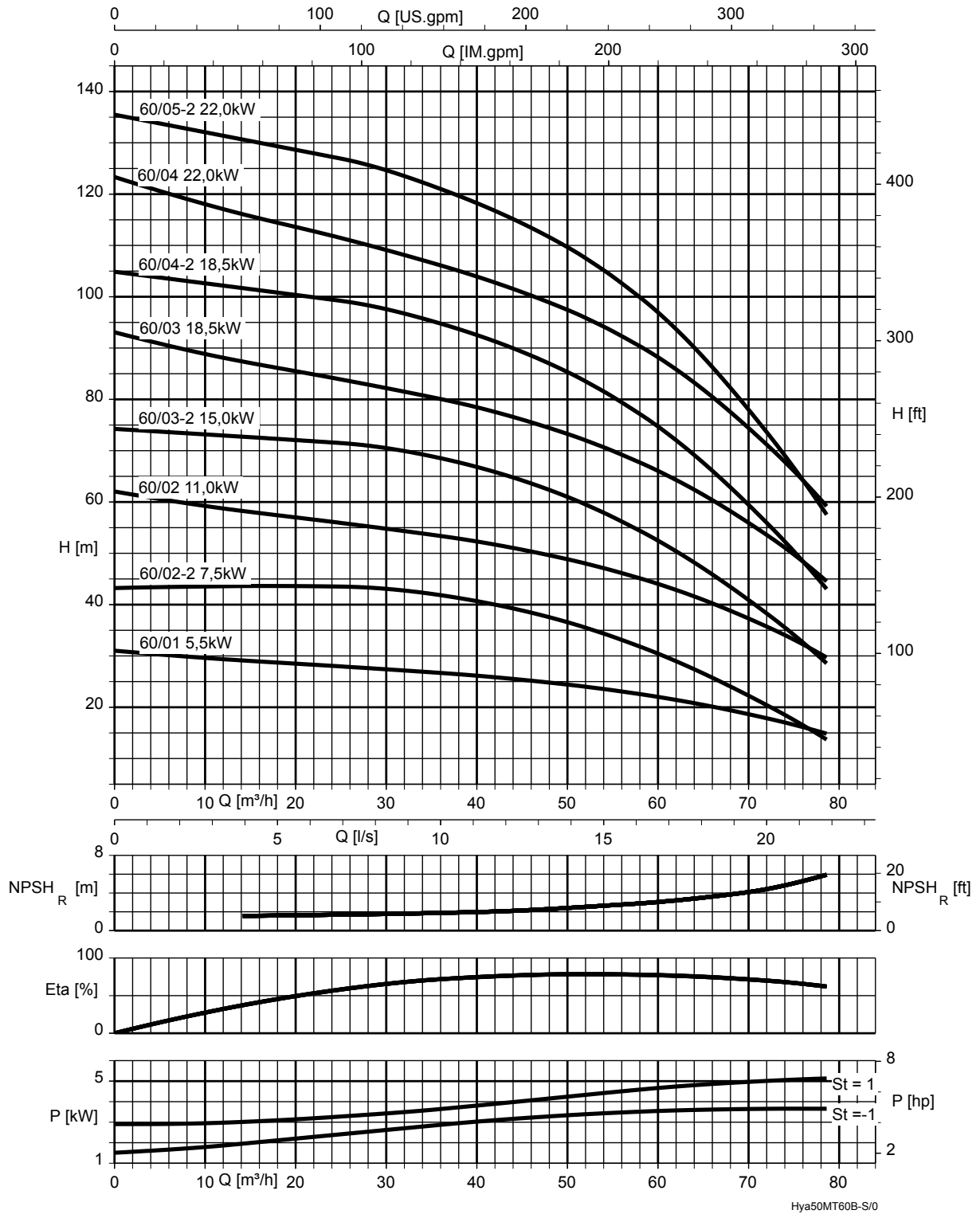
St = 1 | P per stage

Hya-Solo DSV with Movitec 40B, n = 3000 rpm



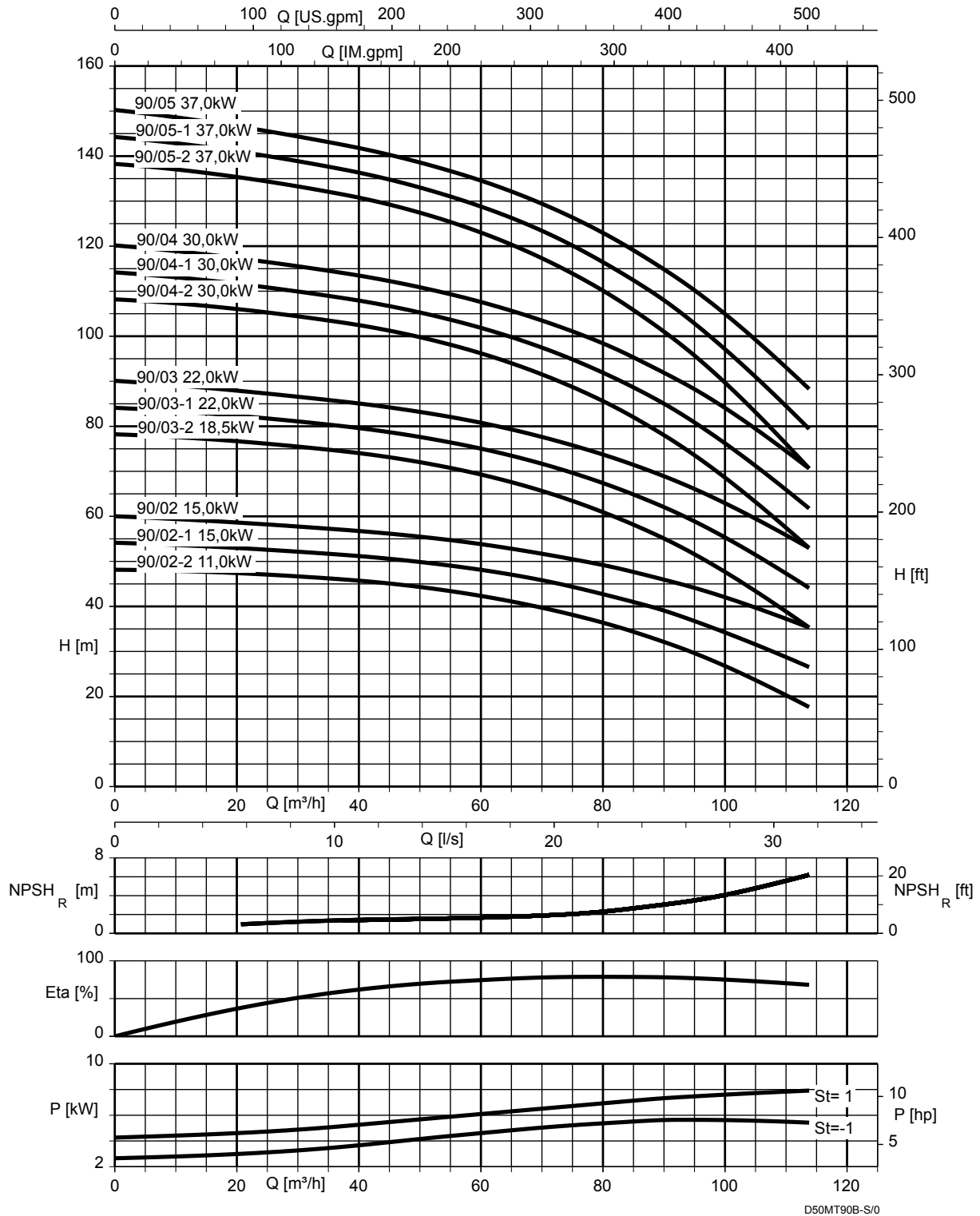
St = 1	P per stage	St = -1	P per stage with a smaller impeller
--------	-------------	---------	-------------------------------------

Hya-Solo DSV with Movitec 60B, n = 3000 rpm



St = 1 P per stage	St = -1 P per stage with a smaller impeller
----------------------	---

Hya-Solo DSV with Movitec 90B, n = 3000 rpm



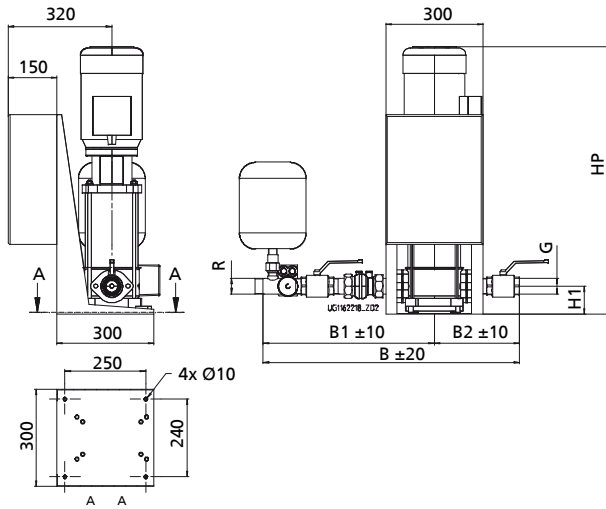
i Systems with 1, 1-1, 2, 2-2, 3 and 3-2 stages
The actual curve will deviate from the documented curve due to the reduced speed. An accurate selection can only be made with KSB's selection program KSB EasySelect.

St = 1	P per stage	St = -1	P per stage with a smaller impeller
--------	-------------	---------	-------------------------------------

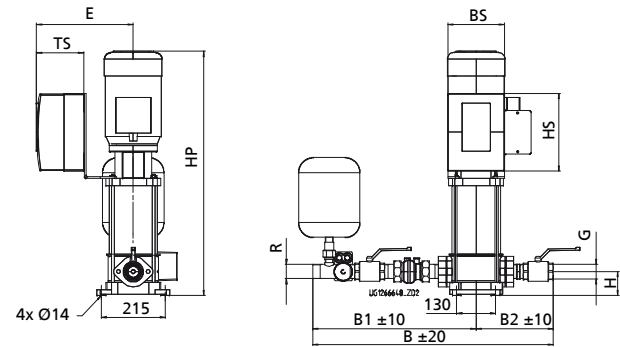
Dimensions

Hya-Solo D / DSV with Movitec 2B / 4B

Hya-Solo D with Movitec 2B / 4B



Hya-Solo DSV with Movitec 2B / 4B



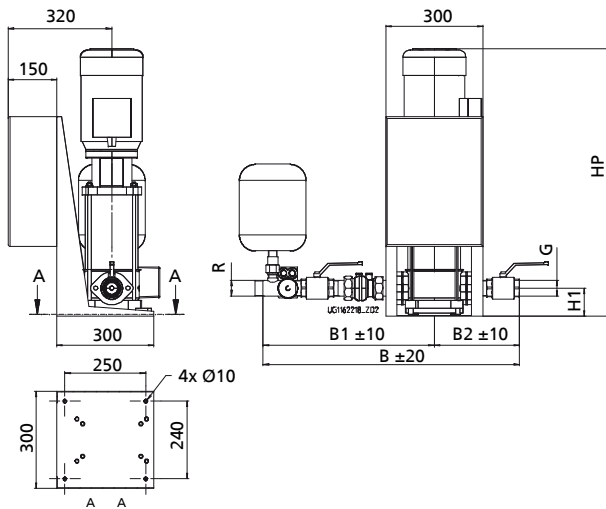
External thread R to DIN EN 10226
Internal thread G to DIN ISO 228-1

Dimensions [mm]

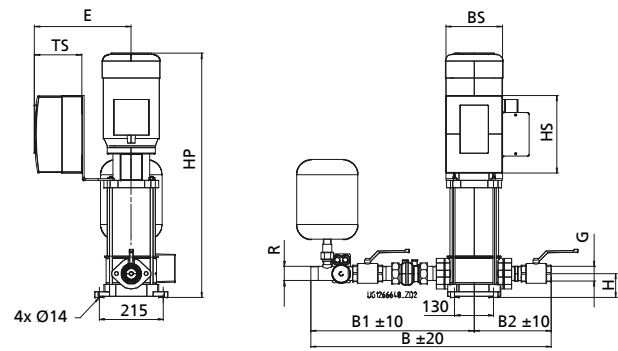
Hya-Solo D / DSV	Suction-side connection	Discharge-side connection	Pump					PumpDrive HS × BS × TS	Distance E
			HP	H1	B	B1	B2		
1/0202 B	G 1	R 1	472	50	684	476	208	260 × 190 × 158	251
1/0203 B	G 1	R 1	493	50	684	476	208	260 × 190 × 158	251
1/0204 B	G 1	R 1	515	50	684	476	208	260 × 190 × 158	251
1/0205 B	G 1	R 1	536	50	684	476	208	260 × 190 × 158	251
1/0206 B	G 1	R 1	558	50	684	476	208	260 × 190 × 158	251
1/0207 B	G 1	R 1	579	50	684	476	208	260 × 190 × 158	251
1/0208 B	G 1	R 1	601	50	684	476	208	260 × 190 × 158	251
1/0209 B	G 1	R 1	676	50	684	476	208	260 × 190 × 158	251
1/0210 B	G 1	R 1	698	50	684	476	208	260 × 190 × 158	251
1/0211 B	G 1	R 1	719	50	684	476	208	260 × 190 × 158	251
1/0212 B	G 1	R 1	741	50	684	476	208	260 × 190 × 158	251
1/0214 B	G 1	R 1	784	50	684	476	208	260 × 190 × 158	286
1/0216 B	G 1	R 1	833	50	684	476	208	260 × 190 × 158	286
1/0218 B	G 1	R 1	833	50	684	476	208	260 × 190 × 158	286
1/0402 B	G 1	R 1	472	50	728	502	226	260 × 190 × 158	251
1/0403 B	G 1	R 1	493	50	728	502	226	260 × 190 × 158	251
1/0404 B	G 1	R 1	515	50	728	502	226	260 × 190 × 158	251
1/0405 B	G 1	R 1	590	50	728	502	226	260 × 190 × 158	251
1/0406 B	G 1	R 1	612	50	728	502	226	260 × 190 × 158	251
1/0407 B	G 1	R 1	633	50	728	502	226	260 × 190 × 158	251
1/0408 B	G 1	R 1	661	50	728	502	226	260 × 190 × 158	286
1/0409 B	G 1	R 1	682	50	728	502	226	260 × 190 × 158	286
1/0410 B	G 1	R 1	704	50	728	502	226	260 × 190 × 158	286
1/0411 B	G 1	R 1	754	50	728	502	226	260 × 190 × 158	286
1/0412 B	G 1	R 1	776	50	728	502	226	260 × 190 × 158	286
1/0414 B	G 1	R 1	819	50	728	502	226	260 × 190 × 158	286
1/0416 B	G 1	R 1	904	50	728	502	226	260 × 190 × 158	286

Hya-Solo D / DSV with Movitec 6B / 10B

Hya-Solo D with Movitec 6B / 10B



Hya-Solo DSV with Movitec 6B / 10B



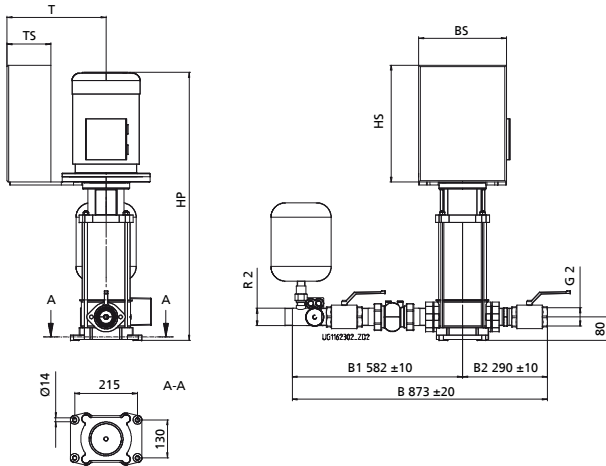
External thread R to DIN EN 10226
Internal thread G to DIN ISO 228-1

Dimensions [mm]

Hya-Solo D / DSV	Suction-side connection	Discharge-side connection	Pump					PumpDrive HS × BS × TS	Distance E
			HP	H1	B	B1	B2		
1/0602 B	G 1 1/4	R 1 1/4	479	50	728	502	226	260 × 190 × 158	251
1/0603 B	G 1 1/4	R 1 1/4	558	50	728	502	226	260 × 190 × 158	251
1/0604 B	G 1 1/4	R 1 1/4	583	50	728	502	226	260 × 190 × 158	251
1/0605 B	G 1 1/4	R 1 1/4	608	50	728	502	226	260 × 190 × 158	286
1/0606 B	G 1 1/4	R 1 1/4	639	50	728	502	226	260 × 190 × 158	286
1/0607 B	G 1 1/4	R 1 1/4	664	50	728	502	226	260 × 190 × 158	286
1/0608 B	G 1 1/4	R 1 1/4	718	50	728	502	226	260 × 190 × 158	286
1/0609 B	G 1 1/4	R 1 1/4	743	50	728	502	226	260 × 190 × 158	286
1/0610 B	G 1 1/4	R 1 1/4	768	50	728	502	226	260 × 190 × 158	286
1/0611 B	G 1 1/4	R 1 1/4	835	50	728	502	226	260 × 190 × 158	286
1/0612 B	G 1 1/4	R 1 1/4	835	50	728	502	226	400 × 300 × 150	286
1/0614 B	G 1 1/4	R 1 1/4	860	50	728	502	226	260 × 190 × 158	286
1/0616 B	G 1 1/4	R 1 1/4	910	50	728	502	226	260 × 190 × 158	286
1/1002 B	G 1 1/2	R 1 1/2	608	80	818	554	264	260 × 190 × 158	251
1/1003 B	G 1 1/2	R 1 1/2	634	80	818	554	264	260 × 190 × 158	251
1/1004 B	G 1 1/2	R 1 1/2	666	80	818	554	264	260 × 190 × 158	286
1/1005 B	G 1 1/2	R 1 1/2	707	80	818	554	264	260 × 190 × 158	286
1/1006 B	G 1 1/2	R 1 1/2	734	80	818	554	264	260 × 190 × 158	286
1/1007 B	G 1 1/2	R 1 1/2	815	80	818	554	264	260 × 190 × 158	286
1/1008 B	G 1 1/2	R 1 1/2	842	80	818	554	264	260 × 190 × 158	286
1/1009 B	G 1 1/2	R 1 1/2	878	80	818	554	264	260 × 190 × 158	305
1/1010 B	G 1 1/2	R 1 1/2	905	80	818	554	264	260 × 190 × 158	305
1/1011 B	G 1 1/2	R 1 1/2	931	80	818	554	264	260 × 190 × 158	328
1/1013 B	G 1 1/2	R 1 1/2	1089	80	818	554	264	325 × 250 × 170	328

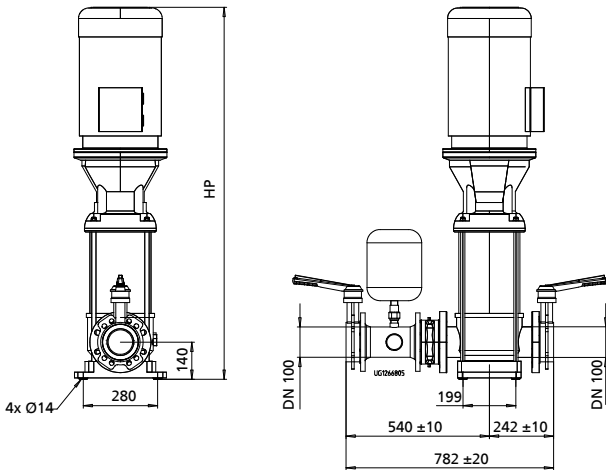
Hya-Solo D with Movitec 15B / 25B / 40B / 60B / 90B

Hya-Solo D with Movitec 15B



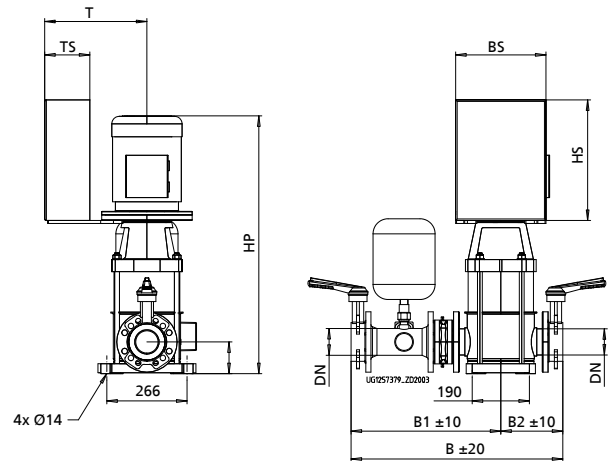
External thread R to DIN EN 10226
Internal thread G to DIN ISO 228-1

Hya-Solo D with Movitec 90B



Flanges drilled to EN 1092-1 PN 16
Butterfly valves and dry running protection equipment are supplied but not fitted.
Control cabinet for wall mounting

Hya-Solo D with Movitec 25B / 40B / 60B



Flanges drilled to EN 1092-1 PN 16
Butterfly valves and dry running protection equipment are supplied but not fitted.

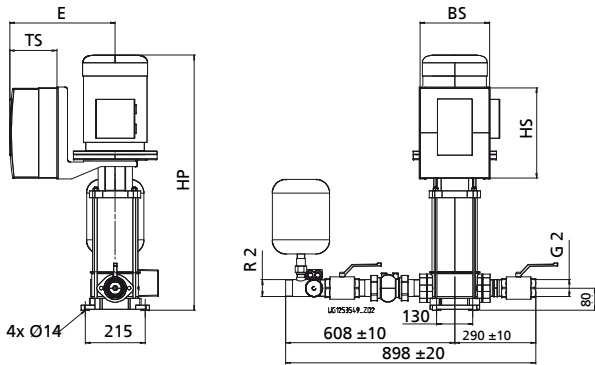
Dimensions [mm]

Hya-Solo D	Suction-side connection	Discharge-side connection	Pump					Control unit HS x WS x DS	Distance T
			HP	H1	B	B1	B2		
1/1502 B	G 2	R 2	628	80	873	582	290	400 × 300 × 150	286
1/1503 B	G 2	R 2	709	80	873	582	290	400 × 300 × 150	286
1/1504 B	G 2	R 2	746	80	873	582	290	400 × 300 × 150	305
1/1505 B	G 2	R 2	877	80	873	582	290	600 × 400 × 200	328
1/1506 B	G 2	R 2	903	80	873	582	290	600 × 400 × 200	328
1/1507 B	G 2	R 2	930	80	873	582	290	600 × 400 × 200	328
1/1508 B	G 2	R 2	956	80	873	582	290	600 × 400 × 200	328
1/1509 B	G 2	R 2	1146	80	873	582	290	600 × 400 × 200	431
1/1510 B	G 2	R 2	1172	80	873	582	290	600 × 400 × 200	431
1/2502 B	DN 65	DN 65	818	105	700	494	206	400 × 300 × 150	305
1/2503 B	DN 65	DN 65	998	105	700	494	206	600 × 400 × 200	328
1/2504 B	DN 65	DN 65	1064	105	700	494	206	600 × 400 × 200	328
1/2505 B	DN 65	DN 65	1292	105	700	494	206	600 × 400 × 200	431
1/2506 B	DN 65	DN 65	1357	105	700	494	206	600 × 400 × 200	431

Hya-Solo D	Suction-side connection	Discharge-side connection	Pump					Control unit	Distance
			HP	H1	B	B1	B2	HS x WS x DS	T
1/2507 B	DN 65	DN 65	1422	105	700	494	206	600 × 400 × 200	431
1/4002-2 B	DN 80	DN 80	1002	140	748	520	228	600 × 400 × 200	328
1/4002 B	DN 80	DN 80	1002	140	748	520	228	600 × 400 × 200	328
1/4003-2 B	DN 80	DN 80	1261	140	748	520	228	600 × 400 × 200	431
1/4003 B	DN 80	DN 80	1261	140	748	520	228	600 × 400 × 200	431
1/4004-2 B	DN 80	DN 80	1339	140	748	520	228	600 × 400 × 200	431
1/4004 B	DN 80	DN 80	1339	140	748	520	228	600 × 400 × 200	431
1/4005-2 B	DN 80	DN 80	1499	140	748	520	228	600 × 400 × 200	431
1/4005 B	DN 80	DN 80	1499	140	748	520	228	600 × 400 × 200	431
1/4006-2 B	DN 80	DN 80	1577	140	748	520	228	600 × 400 × 200	431
1/4006 B	DN 80	DN 80	1577	140	748	520	228	600 × 400 × 200	431
1/6001 B	DN 100	DN 100	942	140	767	533	234	600 × 400 × 200	328
1/6002-2 B	DN 100	DN 100	1020	140	767	533	234	600 × 400 × 200	328
1/6002 B	DN 100	DN 100	1183	140	767	533	234	600 × 400 × 200	431
1/6003-2 B	DN 100	DN 100	1261	140	767	533	234	600 × 400 × 200	431
1/6003 B	DN 100	DN 100	1341	140	767	533	234	600 × 400 × 200	431
1/6004-2 B	DN 100	DN 100	1421	140	767	533	234	600 × 400 × 200	431
1/6004 B	DN 100	DN 100	1421	140	767	533	234	600 × 400 × 200	431
1/6005-2 B	DN 100	DN 100	1499	140	767	533	234	600 × 400 × 200	431
1/9002-2 B	DN 100	DN 100	1282	140	782	533	242	600 × 400 × 200	-
1/9002-1 B	DN 100	DN 100	1282	140	782	533	242	600 × 400 × 200	-
1/9002 B	DN 100	DN 100	1282	140	782	533	242	600 × 400 × 200	-
1/9003-1 B	DN 100	DN 100	1484	140	782	533	242	600 × 400 × 200	-
1/9003-2 B	DN 100	DN 100	1484	140	782	533	242	600 × 400 × 200	-
1/9003 B	DN 100	DN 100	1484	140	782	533	242	600 × 400 × 200	-
1/9004-1 B	DN 100	DN 100	1713	140	782	533	242	600 × 400 × 200	-
1/9004-2 B	DN 100	DN 100	1713	140	782	533	242	600 × 400 × 200	-
1/9004 B	DN 100	DN 100	1713	140	782	533	242	600 × 400 × 200	-
1/9005-2 B	DN 100	DN 100	1822	140	782	533	242	600 × 400 × 200	-
1/9005-1 B	DN 100	DN 100	1822	140	782	533	242	600 × 400 × 200	-
1/9005 B	DN 100	DN 100	1822	140	782	533	242	600 × 400 × 200	-

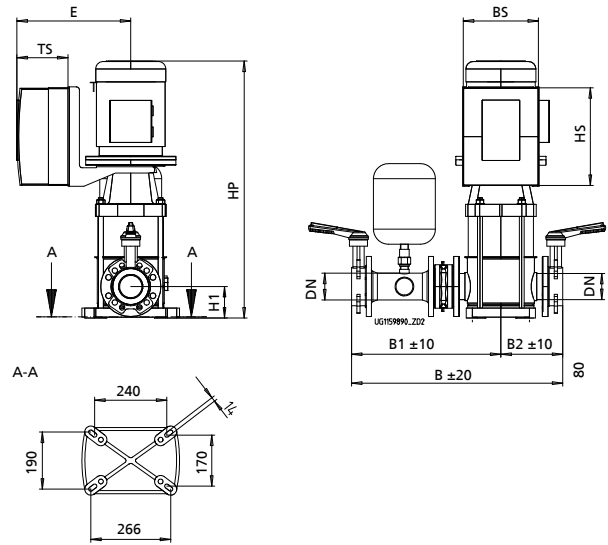
Hya-Solo DSV with Movitec 15B / 25B / 40B / 60B / 90B

Hya-Solo DSV with Movitec 15B



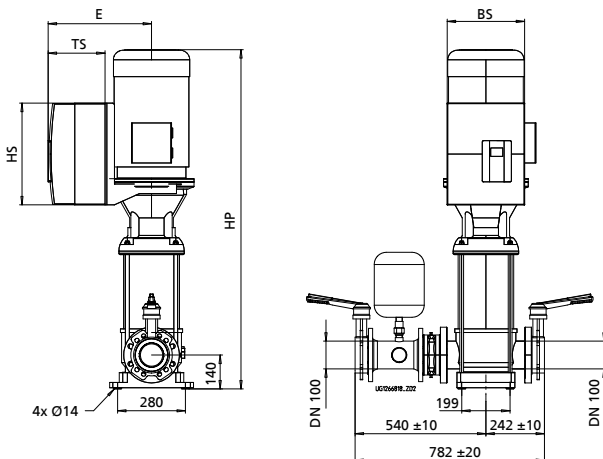
External thread R to DIN EN 10226
Internal thread G to DIN ISO 228-1

Hya-Solo DSV with Movitec 25B / 40B / 60B



Flanges drilled to EN 1092-1 PN 16
Butterfly valves and dry running protection equipment are supplied but not fitted.

Hya-Solo DSV with Movitec 90B




Flanges drilled to EN 1092-1 PN 16
Butterfly valves and dry running protection equipment are supplied but not fitted.

Dimensions [mm]

Hya-Solo DSV	Suction-side connection	Discharge-side connection	Pump					PumpDrive HS x WS x DS	Distance E
			HP	H1	B	B1	B2		
1/1502 B	G 2	R 2	628	80	898	608	290	260 x 190 x 158	286
1/1503 B	G 2	R 2	709	80	898	608	290	260 x 190 x 158	286
1/1504 B	G 2	R 2	746	80	898	608	290	260 x 190 x 158	305
1/1505 B	G 2	R 2	877	80	898	608	290	325 x 250 x 170	328
1/1506 B	G 2	R 2	903	80	898	608	290	325 x 250 x 170	328
1/1507 B	G 2	R 2	930	80	898	608	290	325 x 250 x 170	328
1/1508 B	G 2	R 2	956	80	898	608	290	325 x 250 x 170	328
1/1509 B	G 2	R 2	1146	80	898	608	290	420 x 320 x 235	431
1/1510 B	G 2	R 2	1172	80	898	608	290	420 x 320 x 235	431
1/2502 B	DN 65	DN 65	818	105	700	494	206	260 x 190 x 158	305
1/2503 B	DN 65	DN 65	999	105	700	494	206	325 x 250 x 170	328
1/2504 B	DN 65	DN 65	1064	105	700	494	206	325 x 250 x 170	328

Hya-Solo DSV	Suction-side connection	Discharge-side connection	Pump					PumpDrive	Distance
			HP	H1	B	B1	B2	HS x WS x DS	E
1/2505 B	DN 65	DN 65	1292	105	700	494	206	420 x 320 x 235	431
1/2506 B	DN 65	DN 65	1357	105	700	494	206	420 x 320 x 235	431
1/2507 B	DN 65	DN 65	1422	105	700	494	206	420 x 320 x 235	431
1/4002-2 B	DN 80	DN 80	1002	140	703	497	206	325 x 250 x 170	328
1/4002 B	DN 80	DN 80	1002	140	703	497	206	325 x 250 x 170	328
1/4003-2 B	DN 80	DN 80	1261	140	703	497	206	420 x 320 x 235	431
1/4003 B	DN 80	DN 80	1261	140	703	497	206	420 x 320 x 235	431
1/4004-2 B	DN 80	DN 80	1339	140	703	497	206	420 x 320 x 235	431
1/4004 B	DN 80	DN 80	1339	140	703	497	206	420 x 320 x 235	431
1/4005-2 B	DN 80	DN 80	1499	140	703	497	206	420 x 320 x 235	431
1/4005 B	DN 80	DN 80	1499	140	703	497	206	420 x 320 x 235	431
1/4006-2 B	DN 80	DN 80	1577	140	703	497	206	420 x 320 x 235	431
1/4006 B	DN 80	DN 80	1577	140	703	497	206	420 x 320 x 235	431
1/6001 B	DN 100	DN 100	942	140	767	533	234	325 x 250 x 170	328
1/6002-2 B	DN 100	DN 100	1020	140	767	533	234	325 x 250 x 170	328
1/6002 B	DN 100	DN 100	1183	140	767	533	234	420 x 320 x 235	431
1/6003-2 B	DN 100	DN 100	1261	140	767	533	234	420 x 320 x 235	431
1/6003 B	DN 100	DN 100	1341	140	767	533	234	420 x 320 x 235	431
1/6004-2 B	DN 100	DN 100	1421	140	767	533	234	420 x 320 x 235	431
1/6004 B	DN 100	DN 100	1421	140	767	533	234	420 x 320 x 235	431
1/6005-2 B	DN 100	DN 100	1499	140	767	533	234	420 x 320 x 235	431
1/9002-2 B	DN 100	DN 100	1282	140	782	540	242	420 x 320 x 235	431
1/9002-1 B	DN 100	DN 100	1282	140	782	540	242	420 x 320 x 235	431
1/9002 B	DN 100	DN 100	1282	140	782	540	242	420 x 320 x 235	431
1/9003-1 B	DN 100	DN 100	1484	140	782	540	242	420 x 320 x 235	431
1/9003-2 B	DN 100	DN 100	1484	140	782	540	242	420 x 320 x 235	431
1/9003 B	DN 100	DN 100	1484	140	782	540	242	420 x 320 x 235	431
1/9004-1 B	DN 100	DN 100	1713	140	782	540	242	600 x 450 x 290	520
1/9004-2 B	DN 100	DN 100	1713	140	782	540	242	600 x 450 x 290	520
1/9004 B	DN 100	DN 100	1713	140	782	540	242	600 x 450 x 290	520
1/9005-2 B	DN 100	DN 100	1822	140	782	540	242	600 x 450 x 290	520
1/9005-1 B	DN 100	DN 100	1822	140	782	540	242	600 x 450 x 290	520
1/9005 B	DN 100	DN 100	1822	140	782	540	242	600 x 450 x 290	520

Accessories

 See the separate type series booklet Accessories for Pressure Booster Systems 1954.5.

Your local KSB representative:



PT. Sukma Tirta Persada

Ruko Asia Tropis (Ruko Grand Boulevard)

Jl. Taman Cemara Blok AT 15 No. 48

Harapan Indah, Bekasi 17214

Tel : (+62-21) 8896 9294 , 8896 9295

Fax: (+62-21) 8865 332

info@sukmatirta.com

www.sukmatirta.com



KSB Aktiengesellschaft

67225 Frankenthal • Johann-Klein-Str. 9 • 67227 Frankenthal (Germany)

Tel. +49 6233 86-0 • Fax +49 6233 86-3401

www.ksb.com