

► Our technology. Your success.

Pumps • Valves • Service



Amarex N – Submersible Motor Pump for Handling Waste Water



Applications:

- ▣ Waste water transport
- ▣ Waste water treatment
- ▣ Sludge treatment
- ▣ Storm water transport

More information:

www.ksb.com/products

Your contact:



PT. Sukma Tirta Persada
Ruko Asia Tropis (Ruko Grand Boulevard)
Jl. Taman Cemara Blok AT 15 No. 48
Harapan Indah, Bekasi 17214
Tel : (+62-21) 8896 9294 , 8896 9295
Fax: (+62-21) 8865 332
info@sukmatirta.com

www.sukmatirta.com

Amarex N – Submersible Motor Pump for Handling Waste Water

1 Easy and fast to connect

Polarised connection with cable entry and KSB plug

2 Significant energy savings

High efficiency through optimised hydraulic system

3 Reliable operation

- Optimised cutter (S)
- Large free passage of free-flow impeller (F)
- Open single-channel impeller (D) especially developed for fluids containing large amounts of solids

4 No risk of leakage

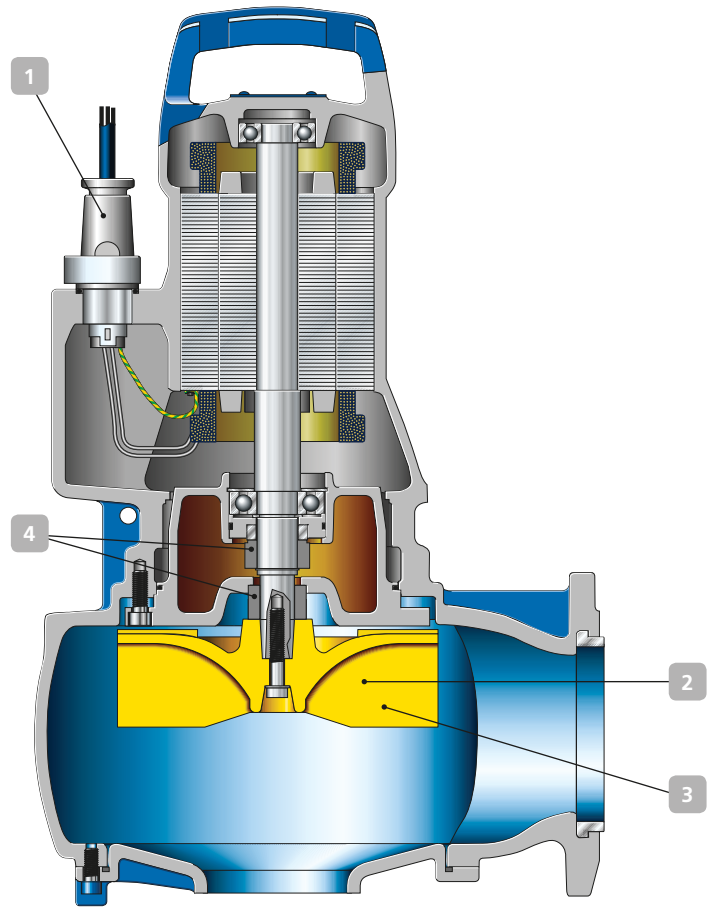
With 2 mechanical seals

Maximum flexibility

Optional choice of impeller / discharge cover materials, elastomer seals, power cables, mechanical seals and coatings

Minimum storage costs

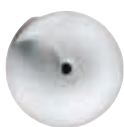
One single spare parts set for all wear parts of pump sizes DN 50 to DN 100



Impellers



Type S



Type D



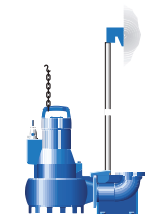
Type F



Hoop arrangement



Guide wire arrangement



Guide rail arrangement with one or two rails



Transportable installation

Also available
as ATEX version



Technical data

Pump sizes	DN 50 to DN 100
Flow rate	up to 53 l/s
Head	up to 49 m
Temperature	
- Standard (U)	up to 55°C
- Explosion-proof option (Y)	up to 40°C
- Hot water option (W), (up to 80 °C for a short period of time)	up to 60°C
Speed	up to 2,900 rpm
Power	up to 4.2 kW



KSB Aktiengesellschaft
Johann-Klein-Straße 9
67227 Frankenthal (Germany)
www.ksb.com