

► Our technology. Your success.

Pumps • Valves • Service



Amarex IN – Submersible Motor Pump for Handling Waste Water



Applications:

- ▣ Waste water transport
- ▣ Waste water treatment
- ▣ Sludge treatment
- ▣ Storm water transport

More information:

www.ksb.com/products

Your contact:

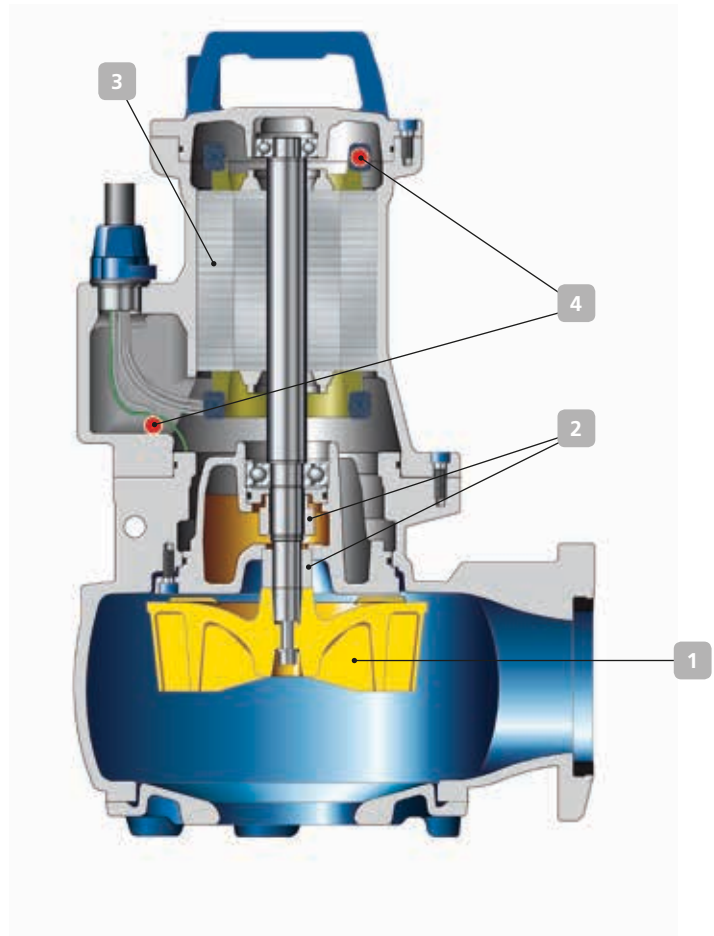


PT. Sukma Tirta Persada
Ruko Asia Tropis (Ruko Grand Boulevard)
Jl. Taman Cemara Blok AT 15 No. 48
Harapan Indah, Bekasi 17214
Tel : (+62-21) 8896 9294 , 8896 9295
Fax: (+62-21) 8865 332
info@sukmatirta.com

www.sukmatirta.com

Amarex IN – Submersible Motor Pump for Handling Waste Water

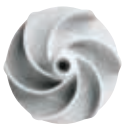
- 1 Significant energy savings**
High efficiency through optimized hydraulic system
- 2 No risk of leakage**
With 2 mechanical seals
- 3 Flexibility**
Optional choice of impeller material with stainless steel and cast iron variant. Various installation types to suit different building structures
- 4 Minimum storage costs**
Maximum interchangeability between motor housing, motor housing cover & bearing bracket
- 5 Easy rewinding**
Access from both sides of the motor for easy pull out/ in of stator, easy rewinding & commissioning
- 6 Monitoring**
Sensors trigger a warning in the event of overheating or ingress of moisture



Impellers



Type S



Type F



Guide wire arrangement



Transportable installation

Technical data

| | |
|--|-------------------------|
| Pump sizes | DN 65 and DN 100 |
| Flow rate | up to 46 l/s |
| Head | up to 49 m |
| Temperature Standard (ULG) (up to 80 °C for a short period of time) | up to 55 °C |
| Speed | 1,450 rpm and 2,900 rpm |
| Power | up to 4.2 kW |



KSB Aktiengesellschaft
Johann-Klein-Straße 9
67227 Frankenthal (Germany)
www.ksb.com